

Digital LED Programmable Timer Relay Switch 0.1S-99H Socket Base AC/DC 12V 24V 36V 110V 220V 380V Repeat Cycle Timer

Power supply: 85-110% rated voltage

Delay control accuracy: Less than equal 0.3% 0.05s.

Ambient temperature: -10-50 Celsius

Power consumption: Less than equal 5W

Altitude: Less than 2000m

Contact capacity: 5A DC30V / 5A AC220V (resistance)

Size: 11 x 5.5 x 5cm

Material: Plastic / Metal

Instructions

Preset delay value, and then the use of power

When the preset is finished, the cover is covered with a protective cover.

Drive larger current to be used with AC contactor

At any time when the reset function is connected to the 1,3 terminal, the contact will be restored to its original position, and it will start from 0 after disconnection.

Reset and pause wire, please use the shielded wire

Pause and reset terminal voltage

Package include: 1 x Delay device

Note: Light shooting and different displays may cause the color of the item in the picture a little different from the real thing. The measurement allowed error is +/- 1-3cm.

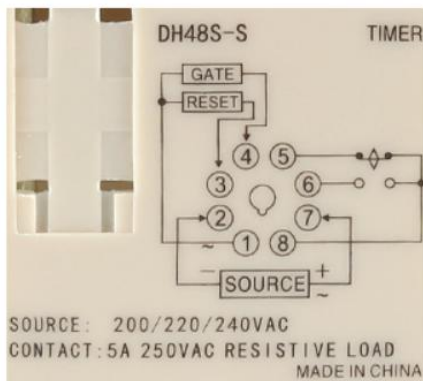


S: second,
m: minute
h: hour

Wiring diagram

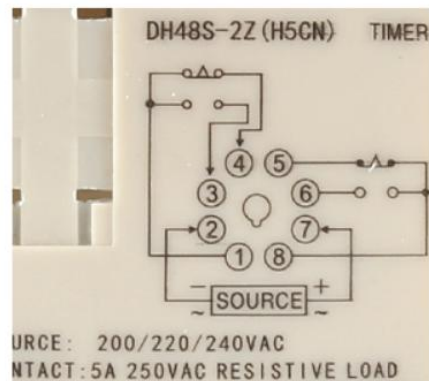


■ DH48S-S/1Z



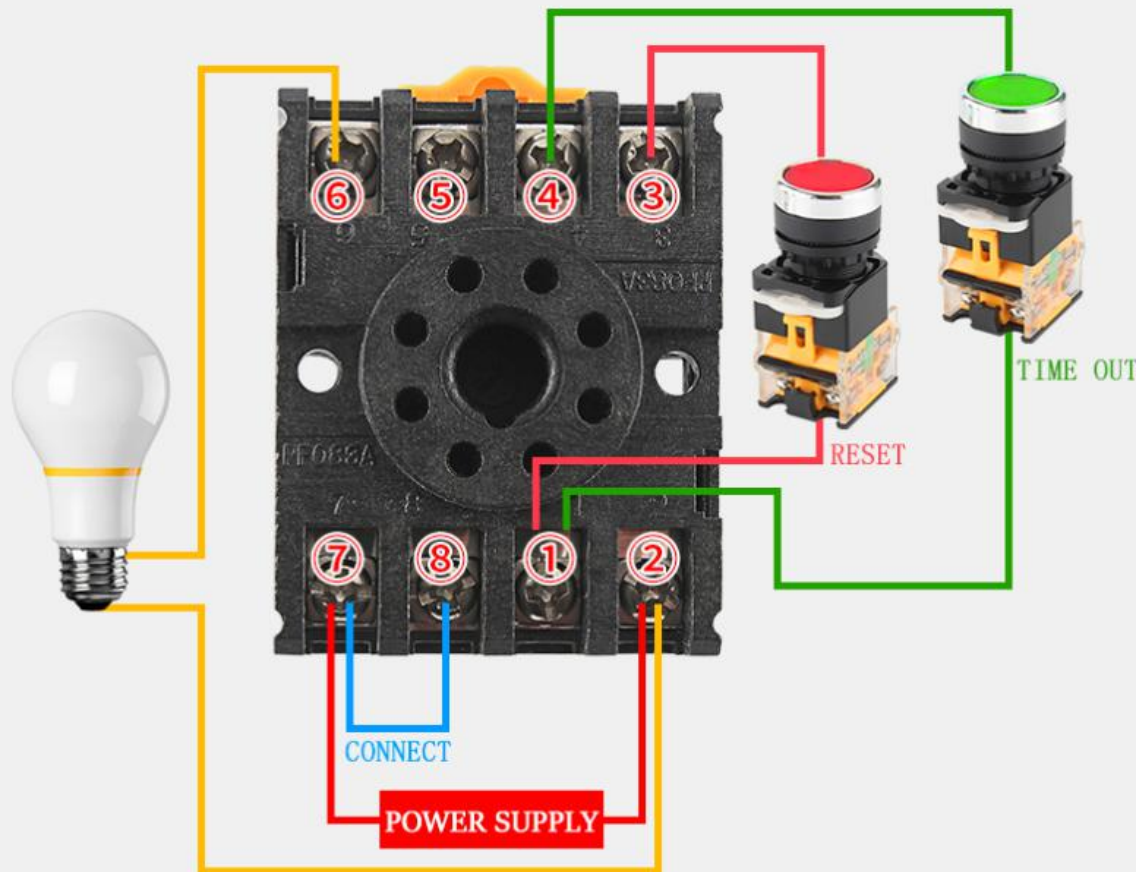
- ② - ⑦ POWER SUPPLY
- ⑧ - ⑥ NORMALLY OPEN
- ⑧ - ⑤ NORMALLY CLOSED
- ① - ③ RESET
- ① - ④ TIME OUT
- ⑦ - ⑧ CONNECT

■ DH48S-2Z

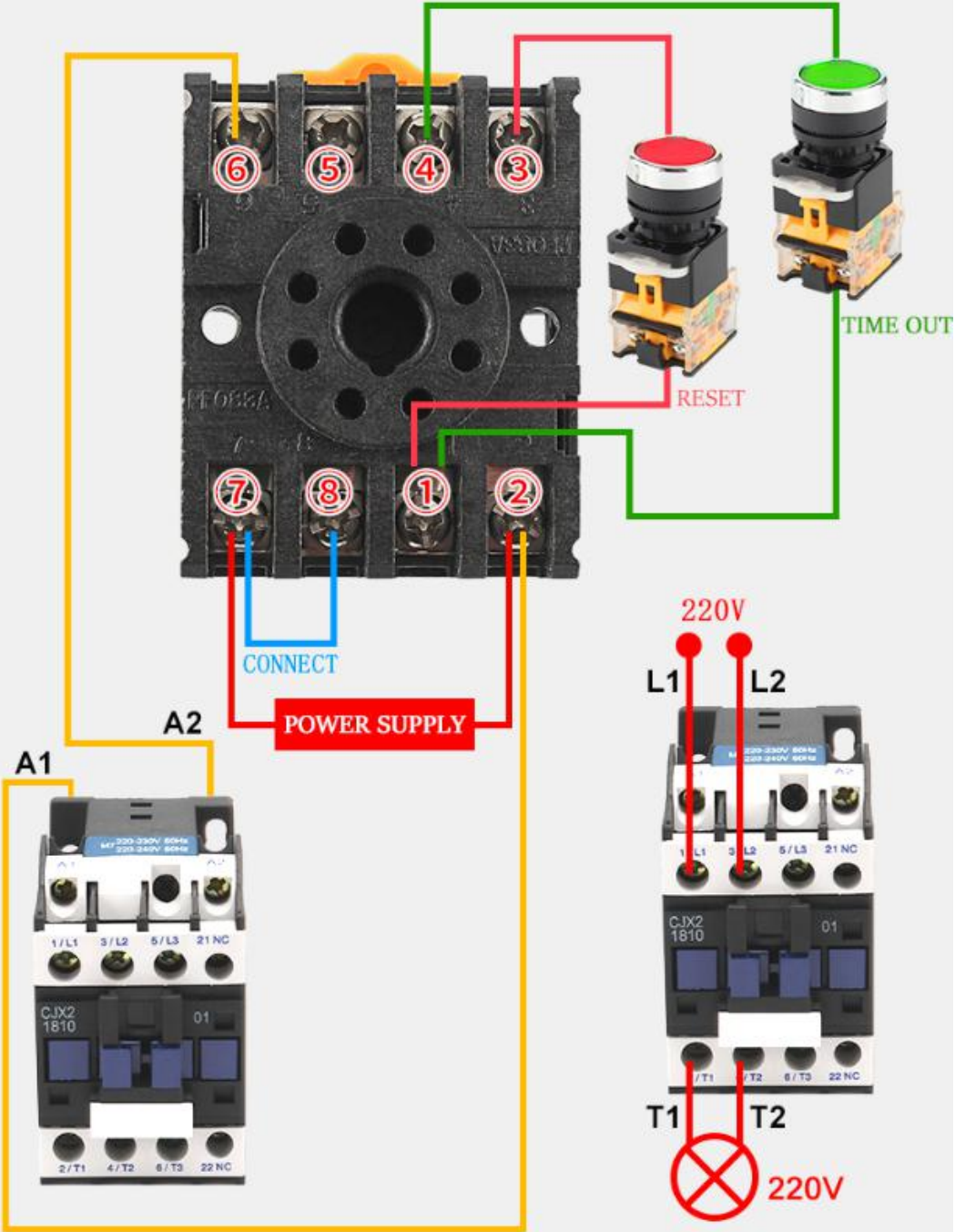


- ② - ⑦ POWER SUPPLY
- ⑧ - ⑥ NORMALLY OPEN
- ⑧ - ⑤ NORMALLY CLOSED
- ① - ③ RESET
- ① - ④ TIME OUT
- ⑦ - ⑧ CONNECT

WIRING DIAGRAM (LOAD POWER LESS THAN 800W)



220V WIRING DIAGRAM



380V WIRING DIAGRAM

