

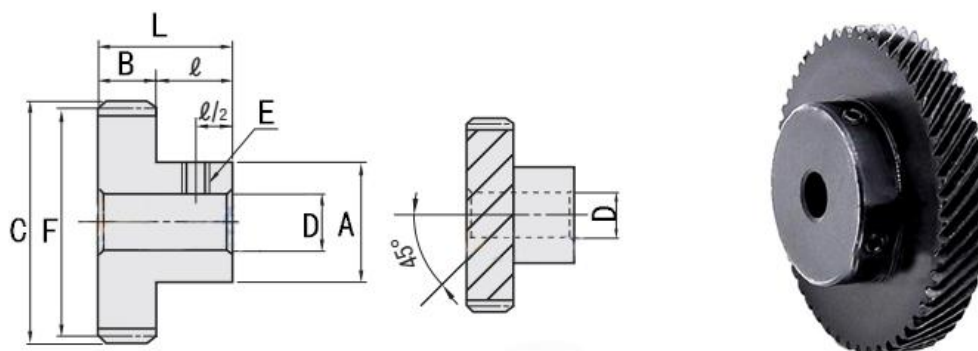
1 helical gear module / high torque spiral / 45 degree helical gears / left right type / with keyway/Canreplacebevelgear

What you need to know before buying

- ❖ The 45 degree helical gear has good meshing, stable rotation, low noise, large torque and large coincidence.
- ❖ The load on each pair of gears is reduced, and the load carrying capacity of the gears is improved.
- ❖ The number of random teeth can be matched to form a transmission ratio.
- ❖ The 45 degree helical gear can be used as a 90 degree steering gear.
- ❖ The link selection does not have a key slot size by default.
- ❖ The synchronizing wheel you choose only distributes fixing screws. The pin key with key slot needs to be purchased and used separately.
- ❖ The key slot hole adopts the broaching process. The width error is 0.05mm and the depth error is 0.2mm.
- ❖ The products are made of high-frequency hardening of teeth, and the surface is blackened. (Some parts have not been blackened, without further notice)

Product size table

Left spiral teeth and Right spiral teeth data is the same



If there is any discrepancy in the following table sizes, please refer to the actual product

Production of different gears, processing may vary, if you mind, please consult before buying

Blackening is to prevent gear rust, when you get it, it will be black color and different from the page show its normal phenomenon.

If there is water, there may be rust, it is a normal phenomenon, does not belong to quality problems, if you mind it, please don't buy.

Product processing technology will be irregular update, the pictures . sometimes not updated in time, please understand.

All product outward appearance, the color take the material object as, the picture only supply the reference.

Welcome inquire for other tooth number gear (1mod / 1.5 mod / 2 mod/3mod/4mod).



Modell	Innenloch	Zahnaußendurchmesser	Teilkreis	Nabendurchmesser	Zahndicke	Gesamtdicke	Schrauben
1 Modul 13 Zähne	6/8	20.38	18.38	15	12	20	2*M5
1 Modul 15 Zähne	6/8/10	23.81	21.21	17	12	20	2*M5
1 Modul 18 Zähne	8/10/12	27.46	25.46	22	12	20	2*M5
1 Modul 20 Zähne	8/10/12/14	30.28	28.28	25	12	20	2*M5
1 Modul 25 Zähne	8/10/12/14/15/16	37.36	35.36	30	12	20	2*M5
1 Modul 30 Zähne	8/10/12/14/15/16	44.43	42.43	35	12	20	2*M5
1 Modul 36 Zähne	8/10/12/14/15/16	52.91	50.91	35	12	20	2*M5
1 Modul 40 Zähne	8/10/12/14/15/16	58.57	56.57	35	12	20	2*M5
1 Modul 45 Zähne	8/10/12/14/15/16	65.64	63.64	40	12	22	2*M5
1 Modul 50 Zähne	8/10/12/14/15/16	72.71	70.71	40	12	22	2*M5
1 Modul 60 Zähne	8/10/12/14/15/16	86.85	84.85	45	12	22	2*M5
1 Modul 72 Zähne	10/12/14/15/16	103.82	101.82	45	12	22	2*M5

Das Folgende ist der theoretische Achsabstand von 1M verschiedenen Zahnrädern basierend auf dem tatsächlichen (Einheit: mm)

1M helical gear												
The following is the theoretical center distance of 1M various gears based on actual (unit: mm)												
Teeth	13T	15T	18T	20T	25T	30T	36T	40T	45T	50T	60T	72T
13T	18.39											
15T	19.8	21.21										
18T	21.92	23.33	25.46									
20T	23.33	24.75	26.87	28.28								
25T	26.87	28.28	30.41	31.82	35.36							
30T	30.41	31.82	33.94	35.36	38.89	42.43						
36T	34.65	36.06	38.18	39.6	43.13	46.67	50.91					
40T	37.48	38.89	41.01	42.43	45.96	49.5	53.74	56.57				
45T	41.01	42.43	44.55	45.96	49.5	53.03	57.28	60.1	63.64			
50T	44.55	45.96	48.08	49.5	53.03	56.57	60.81	63.64	67.18	70.71		
60T	51.62	53.03	55.15	56.57	60.1	63.64	67.88	70.71	74.25	77.78	84.85	
72T	60.1	61.52	63.64	65.05	68.59	72.13	76.37	79.2	82.73	86.27	93.34	101.82

Schrägzahnrad 1M



Rechts

Links

Verkauf: alle Arten von Lagern, Zahnrädern, Kettenrädern, glatten Wellen, Synchronrädern, Riemen, Rollen usw.