

Package Include:

- 1 x Receiver(with cover)
- 1 x Transmitter(with battery)

if you have any question, please tell us.

E-Mail: [sale@einausschalten.com](mailto:sale@einausschalten.com)

Tel: +86 183 2644 0199

1.Transmitter

Channel: 10 CH

Size: 125mm x 49mm x 20mm

Power Supply: 1 X 12V/23A Battery (included)

2.Receiver

Decode: Learning Code,Fixed Code

Control Type: Toggle, Momentary, Latched

Power Supply (Operating Voltage): DC12/ 24V

Work Voltage Range of Relay: DC 0-28V

State current: ≤10 mA

Load current:≤ 7A

Sensitivity:-107 dBm

Operating Temperature:-40'C - 80'C

3.Function (Original Setting is Momentary, Change it by yourself.)

1)1-10 Toggle/Self-lock :Press 1 button==>on,press the same button again==>off (Press key 1 to learn)  
press key 1, 1 relay works, press key 1 again, 1 relay stops working.press key 2,2 relay works,press key 2 again,key 2 stops working. 3-10 key works like this.

2) 1-12 Momentary/Jog:Press and hold==> on, release==>off (Press key 2 to learn)  
press key 1 and hold,1 relay works,loosen the finger. 1 relay stops working. 2-10 key works like this.

3)1-10 Latched/inter-lock:press 1 button ==>on,press other button==>off (Press key 3 to learn)  
press key 1,1 relay works,press key 2, 1 relay stops working,2 relay works.3-10 key works like this.

4)1-6 Toggle 7-10 Momentary (Press key 4 to learn)

5)1 Toggle 2-10 Momentary (Press key 5 to learn)

4.Clear Code and Learn Code

1) Learn

press the learning button 1 time,the learning LED turns on,then press the transmitter key (choose the 1 2 3 4 5) to learn.the indicator flashes 1 time. It means learning sucessfully.

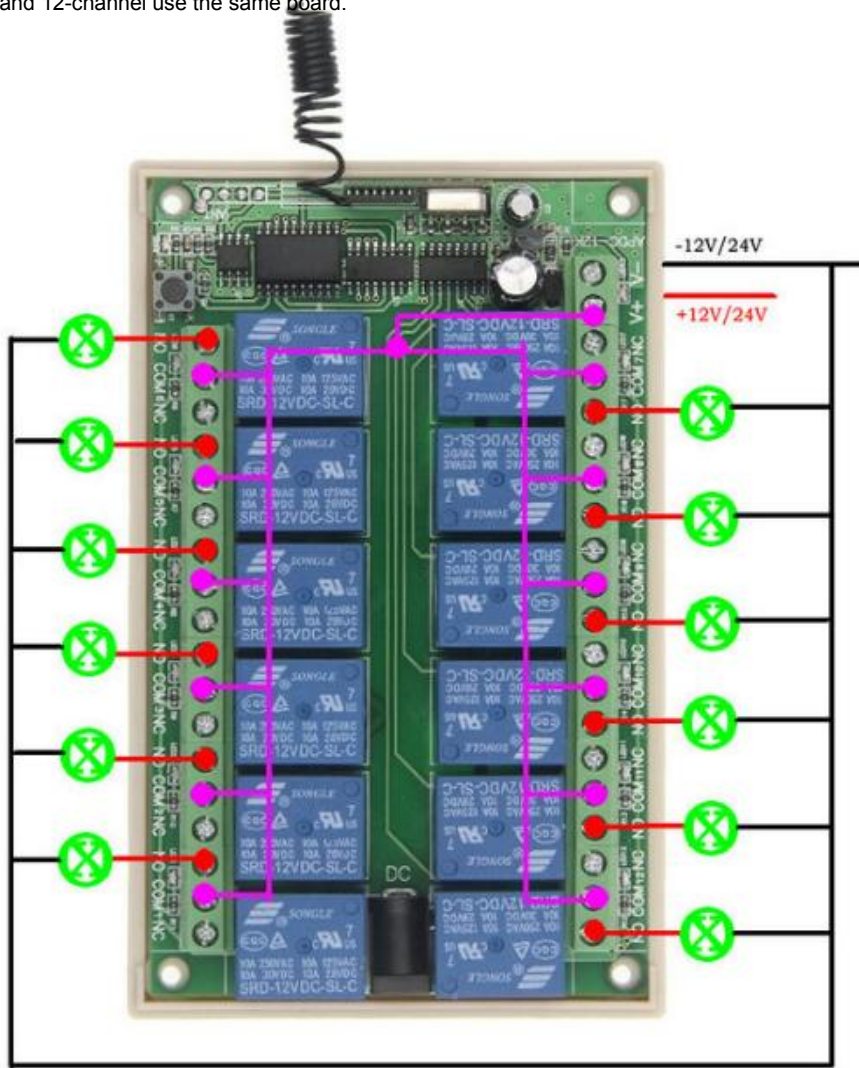
2) Clear

press the learning button for 8 seconds until the indicator turns off, that means the code has been cleared.

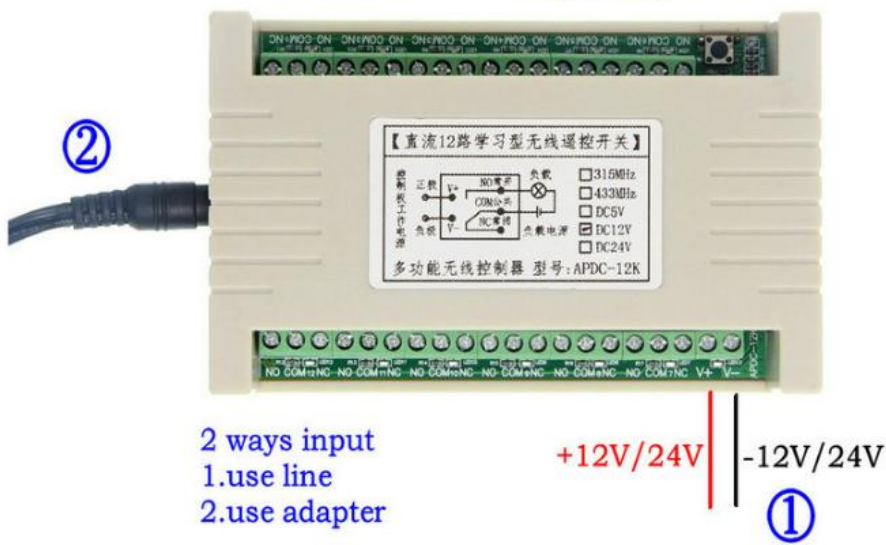
Range

Max. range in free field: 200m (maximum range of the sensor/signal under optimal conditions, or in free field / with free line of sight.)

10-channel and 12-channel use the same board.



size:125 \* 80 \* 30 mm  
weight:231g



2 ways input  
1.use line  
2.use adapter

+12V/24V | -12V/24V  
①

