

Specifications:

Rated Volt: DC 6v 12V 24V

Speed(No load): 2/6/10/18/23/30/40/90/150 RPM

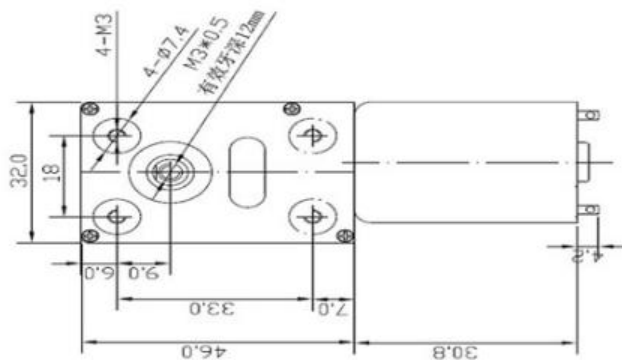
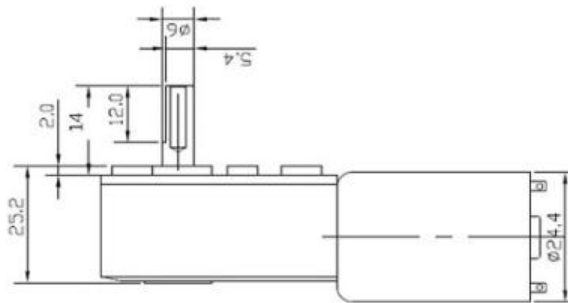
Max torque:24kg.cm

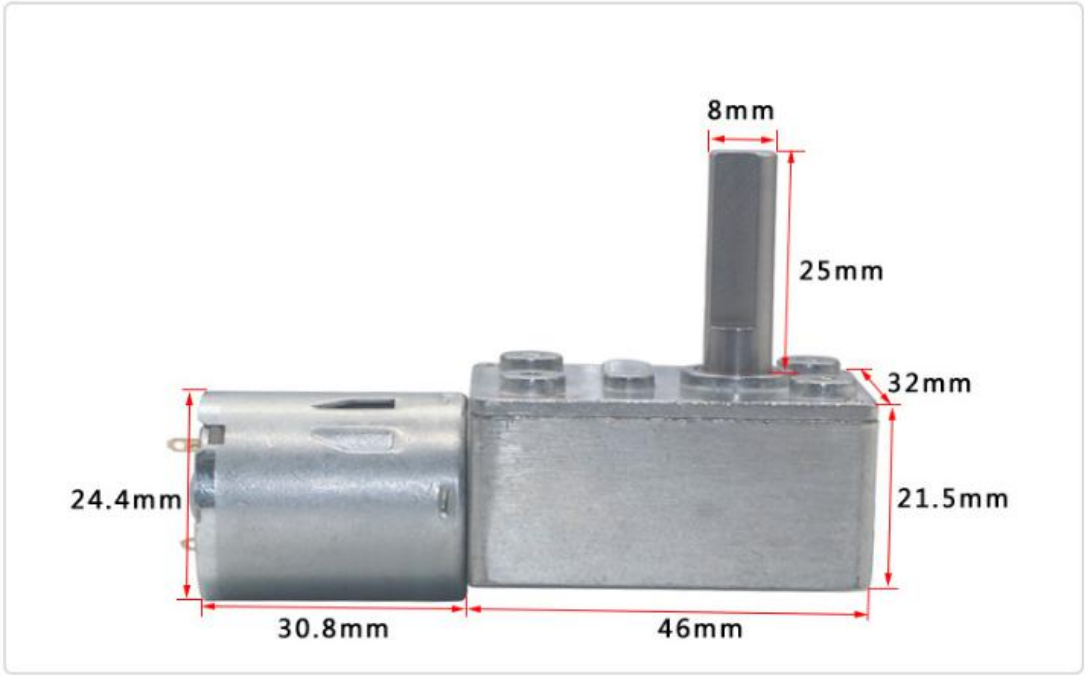
Main Material: Metal

Weight:160g

**Parameter of worm gear motor:**

Reduction ratio	Rated Volt	No Load		AT Load			STALL	
		SPEED	CURRENT	Torque	SPEED	Current	TOGGQCE	CURRENT
	V	RPM	mA	KG.cm	RPM	A	KG.CM	A
40	6	150	100	0.6	100	0.6	1	1.8
65	6	90	100	0.9	70	0.6	1.5	1.8
150	6	40	100	2	30	0.6	3.4	1.8
200	6	30	100	2.7	22	0.6	4.6	1.8
260	6	23	100	3.6	17	0.6	6	1.8
340	6	18	100	4.8	13	0.6	8	1.8
600	6	10	100	8	7	0.6	14	1.8
1000	6	6	100	14	4	0.6	24	1.8
40	12	150	60	0.8	100	0.5	1.4	1.3
65	12	90	60	1.3	70	0.5	2.3	1.3
150	12	40	60	3	30	0.5	5.3	1.3
200	12	30	60	4	22	0.5	7	1.3
260	12	23	60	5.2	17	0.5	9	1.3
340	12	18	60	6.8	13	0.5	12	1.3
600	12	10	60	12	7	0.5	21	1.3
1000	12	6	60	21	4	0.5	35	0.6
40	24	150	60	1.1	100	0.2	1.8	0.6
65	24	90	60	1.8	70	0.2	2.9	0.6
150	24	40	60	4.1	30	0.2	6.7	0.6
200	24	30	60	5.5	22	0.2	9	0.6
260	24	23	60	7.1	17	0.2	11.7	0.6
340	24	18	60	9	13	0.2	15	0.6
600	24	10	60	16	7	0.2	26	0.6
1000	24	6	60	23	4	0.2	35	0.6







Applications:

