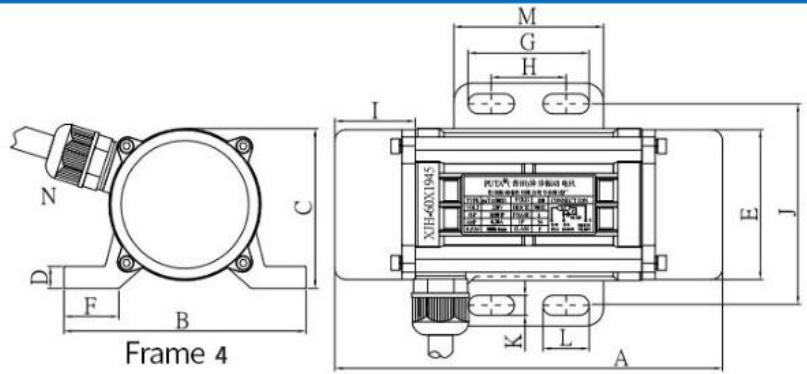


Product Description

DC vibration small motor, can be connected to lithium battery for outdoor use, safe and reliable

Type	Voltage(V)	Current(A)	Power(w)	Speed(rpm)	Force(KN)	Weight
25DCB12-4	12		25	3000	0.4	3
35DCB12-4			35	4700	0.8	3
50DCB12-4			50	7200	1.3	3
60DCB12-4			60	7200	1.6	3
65DCB12-4			65	7200	1.8	3
70DCB12-4			70	7200	2	3
25DCB24-4	24		25	3000	0.4	3
35DCB24-4			35	4700	0.8	3
50DCB24-4			50	7200	1.3	3
60DCB24-4			60	7200	1.6	3
65DCB24-4			65	7200	1.8	3
70DCB24-4			70	7200	2	3
25DCB36-4	36		25	3000	0.4	3
35DCB36-4			35	4700	0.8	3
50DCB36-4			50	7200	1.3	3
60DCB36-4			60	7200	1.6	3
65DCB36-4			65	7200	1.8	3
70DCB36-4			70	7200	2	3
25DCB48-4	48		25	3000	0.4	3
35DCB48-4			35	4700	0.8	3
50DCB48-4			50	7200	1.3	3
60DCB48-4			60	7200	1.6	3
65DCB48-4			65	7200	1.8	3
70DCB48-4			70	7200	2	3

Installation Dimensions and Frame Shell Dimensions



(Company : mm)

Frame	A	B	C	D	E	F	G	H	I	J	K	L	M	N	O
4	146	110	68.5	9	60.4	27.5	45	27.5	30.5	91.5	9	17.5	55	M-16	

485 NEWSLETTER EDITION CAN CONNECT PC TO VIEW DATA

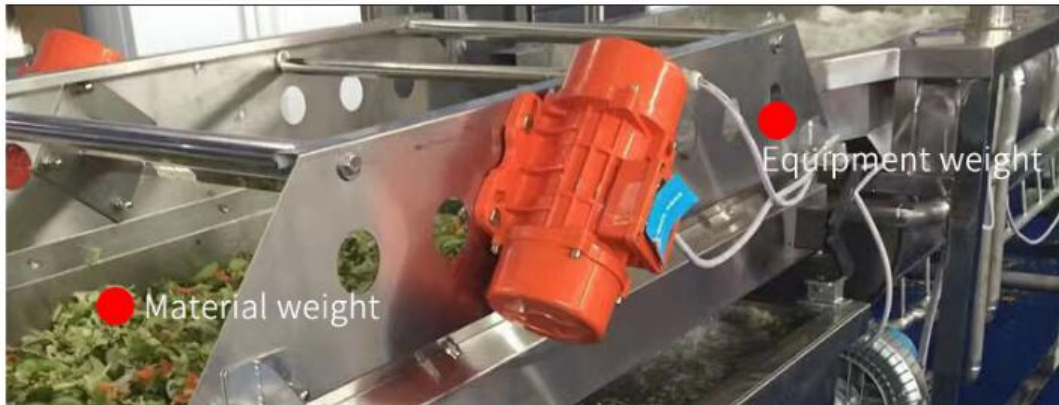


How to choose the right motor?

1. (Old Users) Check parameters or take pictures of old motor nameplates



2. (New user) Calculate the total weight of material and equipment on the upper part of spring, industry, use environment, etc.



SERVE ALL WALKS OF LIFE

Screening, grading, cutting, anti-blocking, and other vibration sources

