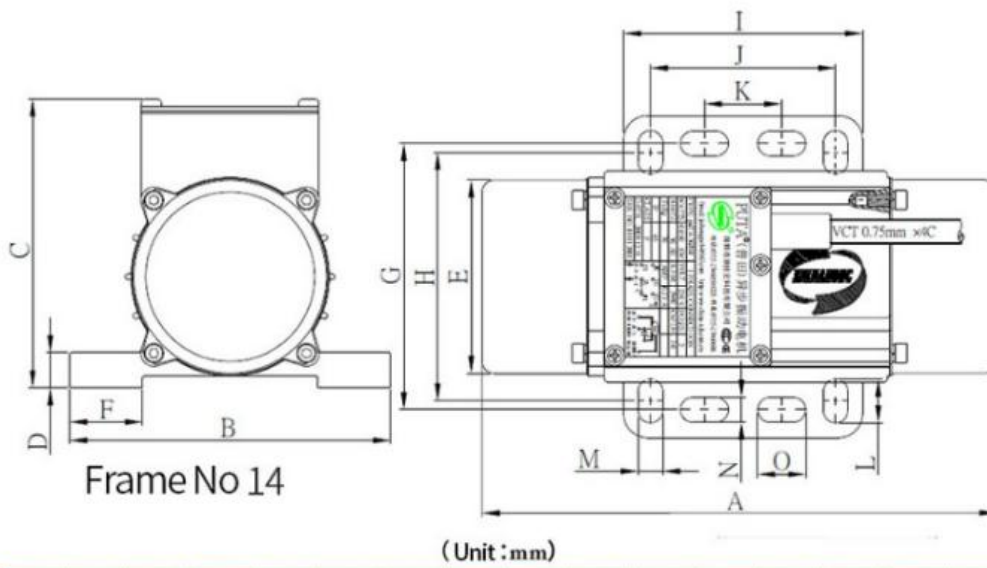


Product Description

DC brushless vibration motor 24v48v provides vibration source for concrete vibration leveling ruler

X14DCB series parameter table						
Type	Voltage(V)	Current(A)	Power(w)	Speed(rpm)	Force(KN)	Weight
80DCB24-14	24	3	80	5000	1.6	3
80DCB48-14	48	2	80	5000	1.6	3
100DCB24-14	24	3	100	7000	2.6	3



Frame No	A	B	C	D	E	F	G	H	I	J	K	L	M	N	O
14	176	110	99	12	68	25	91.5	85	82	63.5	26.5	15	8.5	8.5	16.5



How to choose the right motor?

1. (Old Users) Check parameters or take pictures of old motor nameplates



2. (New user) Calculate the total weight of material and equipment on the upper part of spring, industry, use environment, etc.



SERVE ALL WALKS OF LIFE

Screening, grading, cutting, anti-blocking, and other vibration sources

