

40W AC 220-240V 50/60HZ low rpm adjustable gear reducer motor with speed controller CW CCW reverse forward motor Optional speed

Item specifics

Output Power: 40W

Phase:Single-phase

Type:Induction Motor

Efficiency:IE 2

Frequency:50HZ/60HZ

AC Voltage:208-230 / 240 V

Certification:CCC,CE

Protect Feature:Drip-proof

Speed:450 270 180 135 90 67.5 54 45 33.5 27 22.5 18 15 13.5 11.2 9 7.5 rpm

Torque: 7.2 11.8 17.6 23.5 35 44 54 64 85 95 100 Kg*cm

Rotation direction:CW / CCW, need add a switch

Voltage:AC 220V/240V(±15%)

Noise:Less than 55dB

Net Weight: 3.5 KG

Usage: packaging, printing, textile, dyeing, chemical, food, medical, advertising, office, petrochemical, instrumentation, stage lighting, transmission, automatic warehouse, parking access, construction

Options of Speed!!!!

450rpm, 270rpm, 180rpm, 135rpm, 90rpm, 67.5rpm, 54rpm, 45rpm, 33.5rpm, 27rpm, 22.5rpm, 18rpm, 15rpm, 13.5rpm, 11.2rpm, 9rpm, 7.5 rpm.

Important: Please must specify the speed you need, or we will send 7.5rpm by default.

You can leave a message for us when go to the "Place Order" web page. (We would not responsible if you don't specify speed.)

Package including:

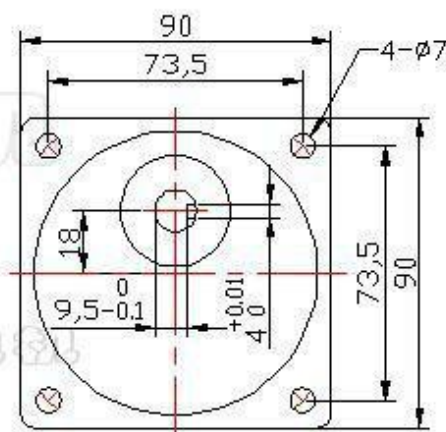
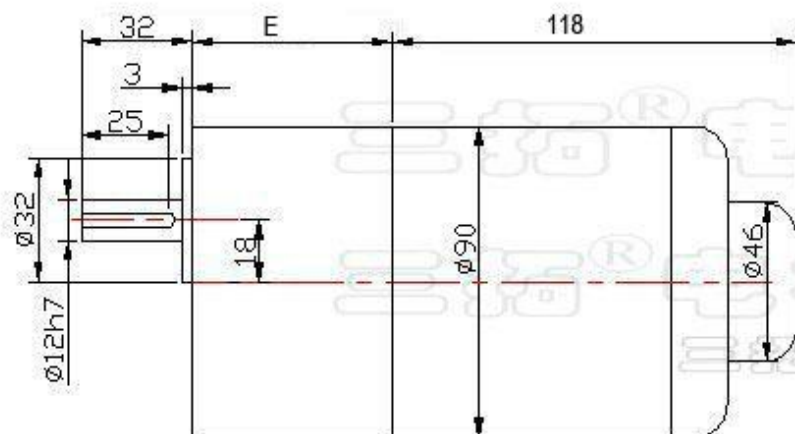
1x one-phase adjustable motor (AC 220V 25W).

1x US AC speed controller. (If you don't need speed controller, contact us to minus price)

is speed controller, this controller has ability to infinitely vary speed in range of 6.7%~100% (stepless speed regulation), only used for AC 208~230V/240V one-phase speed Adjustable motor (can't used for Non-adjustable motor). When reduce speed will proportionally decrease torque and power.

One-phase AC 220V 40W Adjustable Gear Reducer Motor

Power(W)	Voltage (V)	Maximum speed (r/min)	Ratio 1: XXX	Maximum Rated Torque (Kg*cm)	E (mm)	Rated Gear Box Current (A)	Shaft Diameter (mm)	Outside Dimension (mm)	Net weight (Kg)
40W	AC 220V	450	3	7.2	59	0.4	Φ12*29	90*90	3.5
		270	5	11.8					
		180	7.5	17.6					
		135	10	23.5					
		90	15	35					
		67.5	20	44					
		54	25	54					
		45	30	64					
		33.5	40	85					
		27	50	95					
		22.5	60						
		18	75						
		15	90						
		13.5	100	100					
11.2	120								
9	150								
7.5	180								



Widely used in packaging, printing, textile, dyeing, chemical, food, medical, pharmaceutical construction machineries. And advertising, office, petrochemical, instrumentation, stage lighting, transmission, automatic warehouse, parking access control system and other equipments.

Product description:

- This motor with speed controller, reduce speed will reduce torque and power. If you don't need speed controller, please contact us to reduce price.
- This is one-phase AC 220V motor, this series motor maximum power is 200W. If you need power larger than 200W, you can contact us to buy three-phase AC 380V motor.
- If you need motor stop at an instant, it need brake for the motor, it will cost more \$50, please contact us to buy this.
- There are also other AC 220V one-phase motor for select as "Sheet 1"

Warranty

One-phase AC 220V series motor is factory sale, we guaranty its quality, the motor is guaranteed for 1 year. We sincerely ask buyer to meter the current when you loading, the Loading Current should not exceed our Rated Current, current indicate the loading, large current will affects motor lifespan.

How to select item from "Sheet 1"?

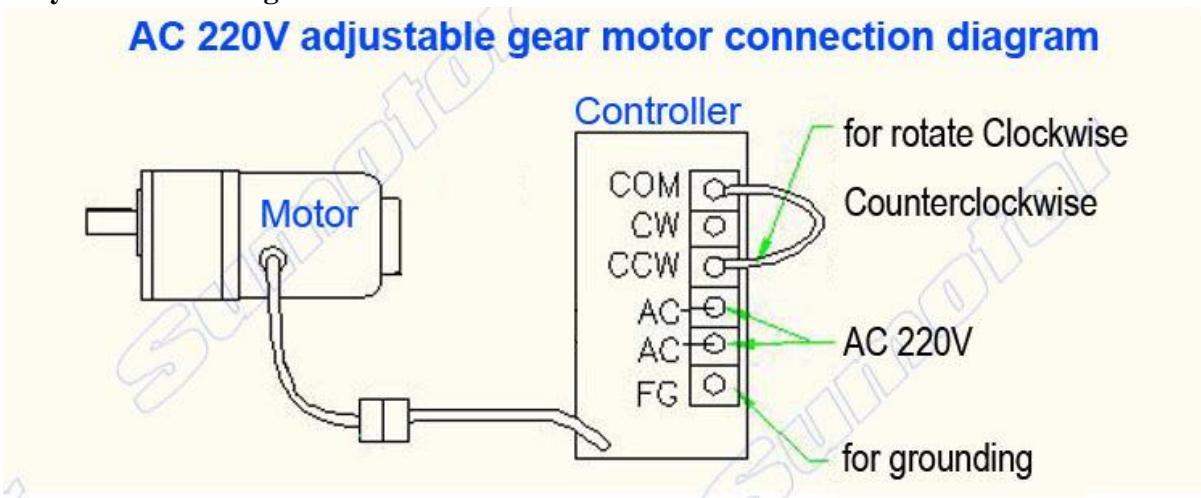
Speed: find the most suitable speed you need. If don't have exactly speed, you can select a higher speed one, and use controller reduce speed to your need. Please reference to "Sheet 1".

Torque: we advise test your loading torque first, the loading torque should not exceed our Rated Torque. If use speed controller speed adjust motor speed, however, torque reduce in proportion to speed reduce. So we remind you select speed most close to your normal use. Please reference to "Sheet 1".

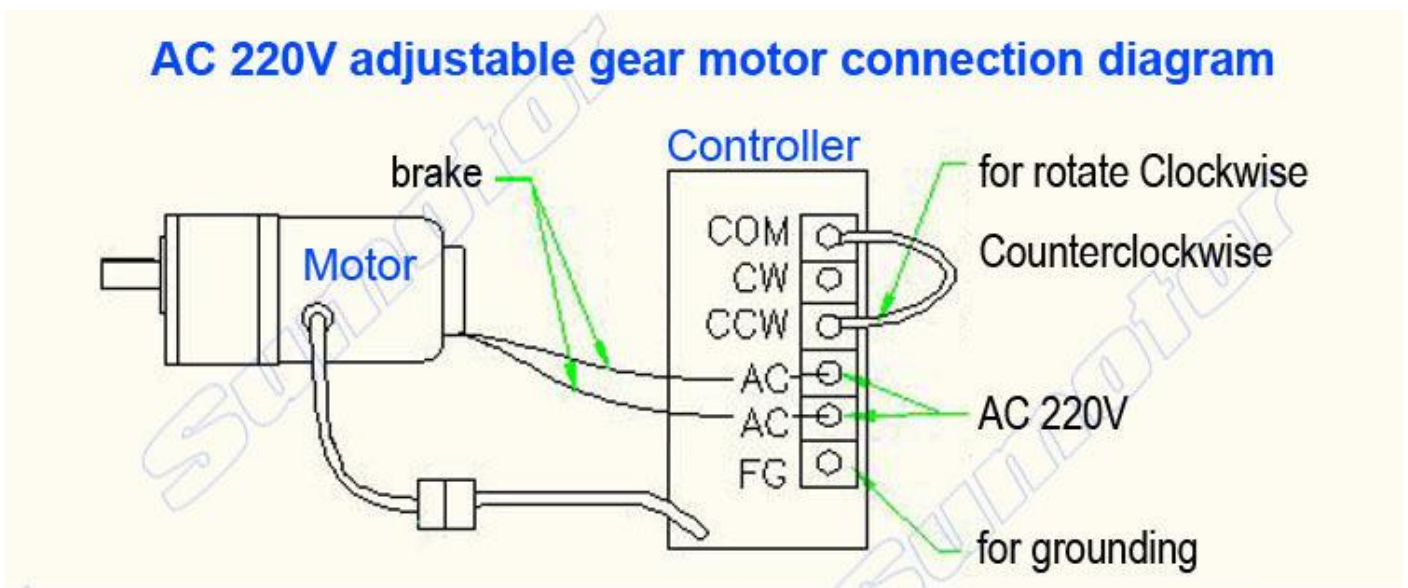
Output shaft bearing Overhang Force & Push Force: Output shaft bearing Overhang Force & Push Force should not exceed F1, F2 and F3 as "Sheet 2".

Power: after speed,torque and shaft bearing are confirmed, power is obvious confirmed.

Primary connection diagram: Motor+controller



With brake connection diagram



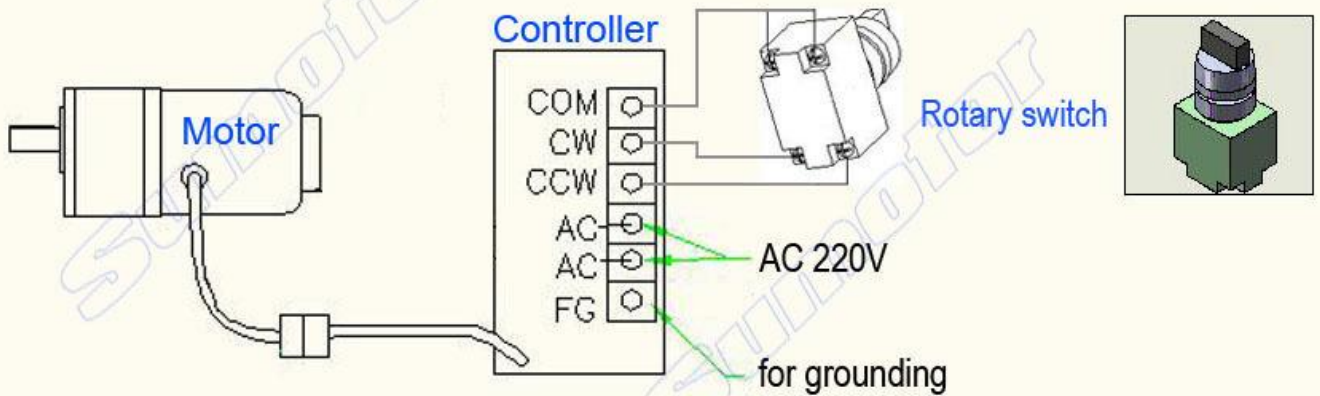
Brake Fundamental: When switch on brake, the resistance will disappear. When switch off brake, the brake will resist to motor rotation. When all circuit is closed, the brake will not affect the motor, at the instant of circuit open, brake will resist to stop motor instantly.

The brake cables must parallel connection with speed controller as the diagram. Switch on the circuit, the brake will make a click sound, then you it start working now.

WARNING: The brake cables must parallel connection with speed controller as the diagram. If brake is switch off, and motor switch on, the motor will be RUINING.

CW CCW rotary switch connection diagram

AC 220V adjustable gear motor connection diagram



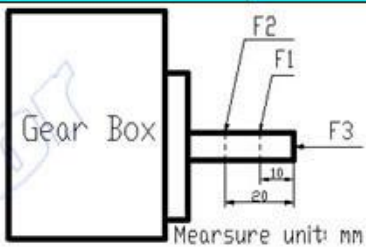
One-phase AC 220V Adjustable Gear Reducer Motor (Sheet 1)																						
Speed (rpm)	450	270	180	135	90	67.5	54	45	33.5	27	22.5	18	15	13.5	11.2	9	7.5	Rated Current (A)	Dimension exclude shaft (mm)	Gear Box	Net Weight (Kg)	
Reduction Ratio	3	5	7.5	10	15	20	25	30	40	50	60	75	90	100	120	150	180					
Power(W)	Rated Torque (Kg*cm)																					
6	1.6	2.6	4	4.8	7.2	9.3	12	14.5	19.4	20	21.7	24	29	30				0.13	60*60*130	2GN	1.3	
25	4.5	7.8	11.5	15.5	22.5	27.8	34.3	41.5	55.7	65	78	80					0.3	80*80*145	4GN	2.5		
40	7.2	11.8	17.6	23.5	35	44	54	64	85	95	100						0.4	90*90*175	5GN	3.8		
60	10.8	17.8	26.5	35	49	70	80	96	127	155	180	200					0.7	90*90*200	5GU	4.2		
90	16.2	29	42	54	78	98	120	147	187	200						1	90*90*225			5		
120	21	35	53.5	70	104	130	160	190	200								1.4	90*90*246	6GN	6		
180	30	50	77	103	154	187	230	278	334	410	440						1.8	104*104*265			8.3	
200	34	57	86	115	170	206	258	308	413	440							2	104*104*265			8.8	

Remark: Dimensions and weight of list may be a little different from real products. Due to gear box length depend on ratio.

(Sheet 1)

output shaft bearing Overhang Force & Push Force (Sheet 2)

Motor Power	Shaft Diameter	Max.F1 (Overhang)	Max.F2 (Overhang)	Max.F3 (Push)
6W	8mm	5 Kg	8 Kg	3 Kg
25W	10mm	10 Kg	15 Kg	5 Kg
40W	12mm	25 Kg	35 Kg	10 Kg
60~120W	15mm	40 Kg	60 Kg	15 Kg
180~200W	15mm	50 Kg	70 Kg	18 Kg



(Sheet 2)