

40W AC230V 50 / 60HZ Industrial geared motors adjustable Micro AC motor Low speed reduction gearmotor with speed Adjustable variable CW CCW Reverse forward motor

Characteristic

High torque
Efficient and precise
Low noise
Safe and durable
Height quality
longevity

This geared motor is made of reducer (reduction gear) and motor. The rated speed of motor is 1350rpm.

Spindlesase: Use reinforced spindles, wear resistant and longer life

case: high-quality aluminum die-casting housing, light and beautiful shape, compact design, small size, light weight, not easy to rust

Structure: The unique design inside, Good heat dissipation, safety and reliability, high efficiency

Gear: hardness treatment, high precision gear, helical gear transmission, can improve impact resistance and abrasion resistance

Lubricants: Use the international brand grease / lubricants to reinforcing the lubricating properties of the gear wheel, and also extend the service life

Technical data of reducer

Product type: Single-phase asynchronous motor

Rated Voltage: 220 (V)

Power Rating: 40 (W)

class: 2

Rated current: 0.33A

Frequency: 50HZ / 60HZ

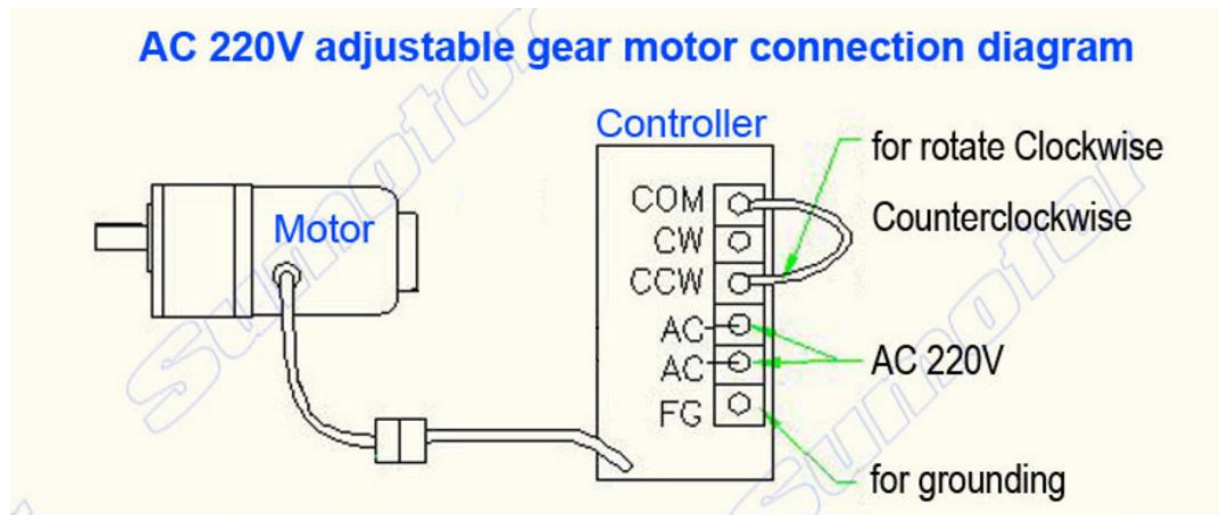
Synchrospeed (r / min): 500-8 (Please see the picture in page 3)

Reduction ratio = 3, 3,6, 5, 6, 7,5, 10, 12,5, 15, 18, 20, 25, 30, 36, 40, 50, 60, 75, 90, 100, 120, 150, 180,200,250

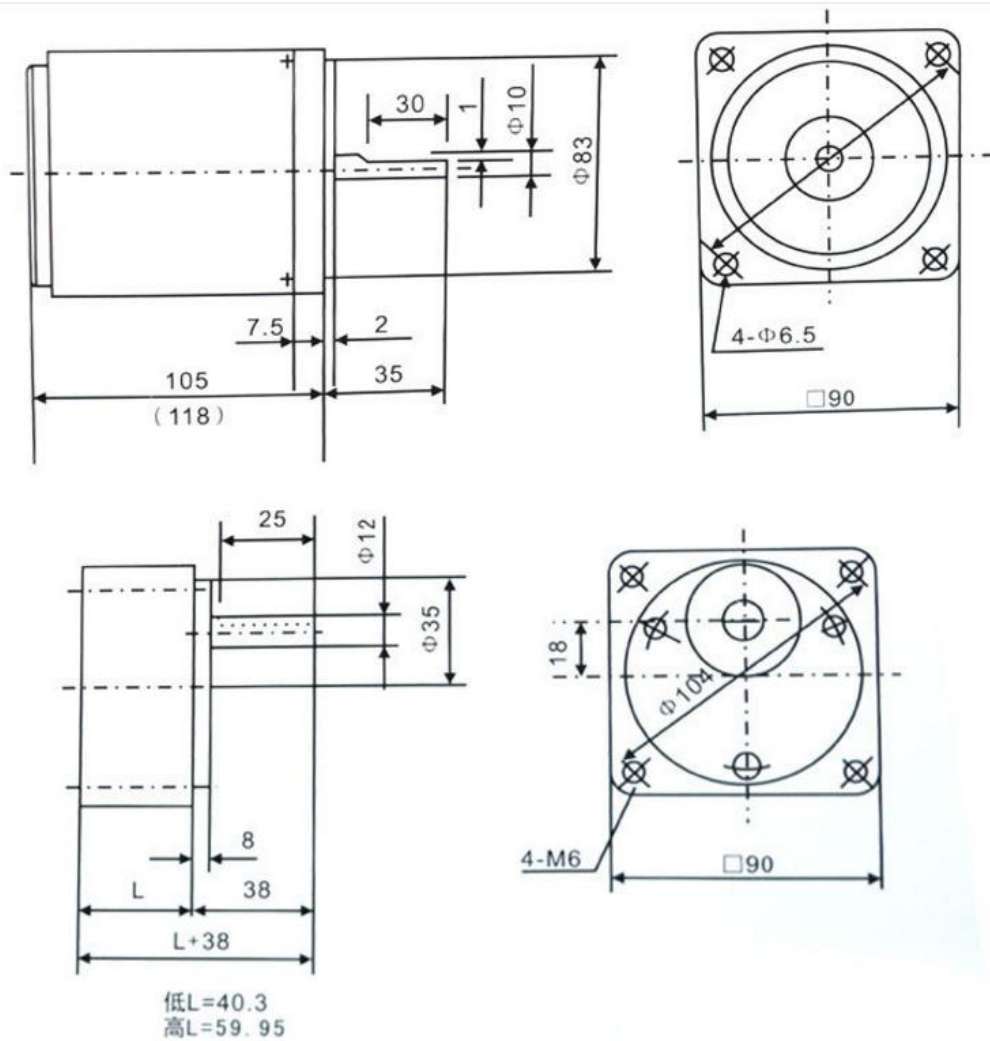
Rated torque: 0.72 N.m-7.8 N.m (Please see the picture in page 3)

Product Certification: CCC

Application: packaging, printing, textile, dyeing, chemical, food, medical, advertising, office, petrochemical, instrumentation, stage lighting, gear box, automatic warehouse, parking access, construction, terminal machine, forage machines, packaging machines, food machines, automation



40W Size:



Tip: If the reduction ratio is larger, L (height) in the image is larger.

More Reduction Ratio

One-phase AC 220V 40W Adjustable Gear Reducer

Mehr Unteretzungsverhältnis

3	3.6	5	6	7.5	10	12.5
15	18	20	25	30	36	
40	50	60	75	90		
100	120	150	180			

Motor

Voltage(V)	Speed (r/min)	Reduction ratio 1: XXX	Rated torque (N.m)	Power
AC 220V	500	3	0.72	40 (W)
	400	3.6	0.85	
	300	5	1.18	
	250	6	1.40	
	200	7.5	1.76	
	150	10	2.35	
	120	12.5	2.90	
	100	15	3.50	
	80	18	3.85	
	75	20	4.40	
	60	25	5.40	
	50	30	6.40	
	40	36	7.5	
	35	40	7.8	
	30	50	7.8	
	25	60	7.8	
	20	75	7.8	
	16	90	7.8	
	15	100	7.8	
	12	120	7.8	
10	150	7.8		
8	180	7.8		
Tip: <u>N.m=10 kg.cm</u>				

Technical parameters Standard

The technical framework

Normal insulation resistance: 100MΩ

Insulator Dielectric Strength: AC1500V 1min

Engine noise: ≤50dB

Work environment requirements

Humidity: -10 to 55 ° C

Relative humidity: <90%

Storage environment requirements

Air temperature: -10 to 40 °

Relative humidity: <70%


Ventilated and no corrosive gas

How to select suitable geared motors?

- 1: Load Conditions
- 2: according to speed range or reduction ratio
- 3: Working conditions and operating environment (temperature, humidity, corrosion, etc.)

Produktmerkmale

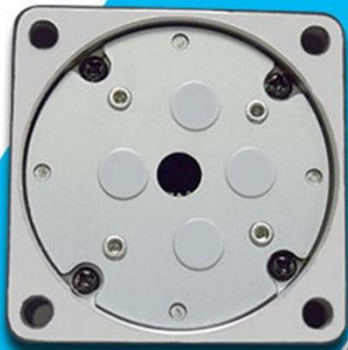
PRODUCT PERFORMANCE CHARACTERISTICS



Spindelnase: Use reinforced Spindelnase, wear resistant and longer lifetime



Housing: high-Die-casting housing, compact Construction, small size, small Weight, not easy to rust



**Structure: The unique design inside,
Good heat dissipation, safety and security
Reliability, high efficiency**



**Gear: hardness treatment, high precision-
Gear wheel, helical gear transmission
Impact resistance and abrasion resistance
to improve**



**Lubricants: Use the international
Brand grease / lubricant for reinforcing
The lubricating properties of the gear
wheel, And also extend the service life**
