

**25W AC230V 50 / 60HZ Industrial geared motors adjustable Micro AC motor Low speed reduction gearmotor with speed Adjustable variable CW CCW Reverse forward motor**

**Characteristic**

High torque  
Efficient and precise  
Low noise  
Safe and durable  
Height quality  
longevity

Spindlesase: Use reinforced spindles, wear resistant and longer life

case: high-quality aluminum die-casting housing, light and beautiful shape, compact design, small size, light weight, not easy to rust

Structure: The unique design inside, Good heat dissipation, safety and reliability, high efficiency

Gear: hardness treatment, high precision gear, helical gear transmission, can improve impact resistance and abrasion resistance

Lubricants: Use the international brand grease / lubricants to reinforcing the lubricating properties of the gear wheel, and also extend the service life

**Technical data of reducer**

Product type: Single-phase asynchronous motor

Rated Voltage: 220 (V)

Power Rating: 25 (W)

2nd grade

Rated current: 0.25A

Frequency: 50HZ / 60HZ

Synchrospeed (r / min): 500-8 (Please see the picture in page 3)

Reduction ratio = 3, 3,6, 5, 6, 7,5, 10, 12,5, 15, 18, 20, 25, 30, 36, 40, 50, 60, 75, 90, 100, 120, 150, 180.

Rated torque: 0.45N.m-7.8N.m (Please see the picture in page 3)

Product Certification: CCC

Application: packaging, printing, textile, dyeing, chemical, food, medical, advertising, office, petrochemical, instrumentation, stage lighting, gear box, automatic warehouse, parking access, construction, terminal machine, forage machines, packaging machines, food machines, automation

**Technical data of motor**

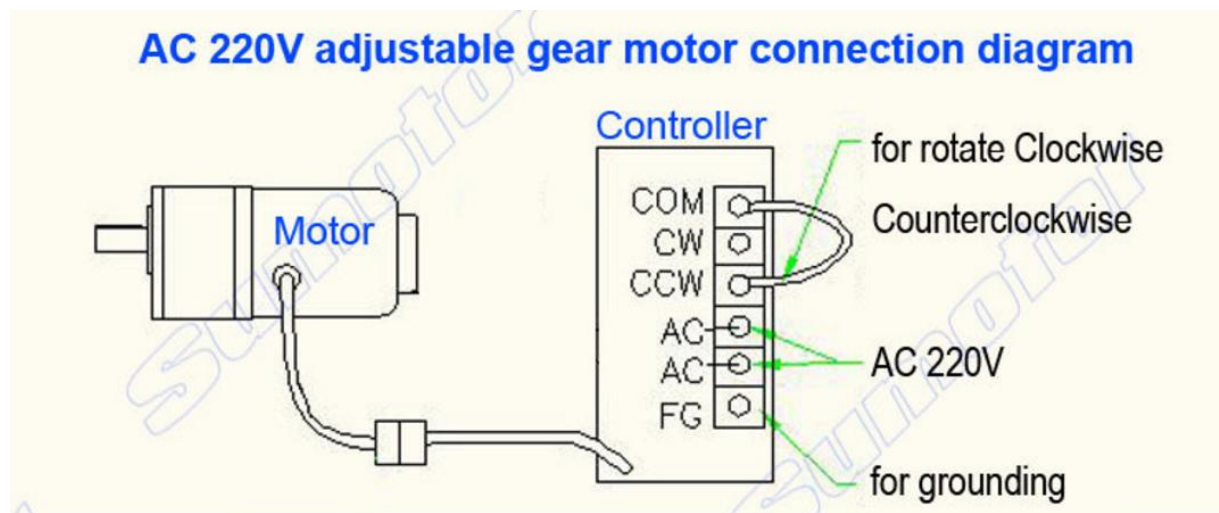
Speed: 1350 rpm

Capacity: 1.5μF

Tightening torque: 1.5kgf.cm / 0.15N.m

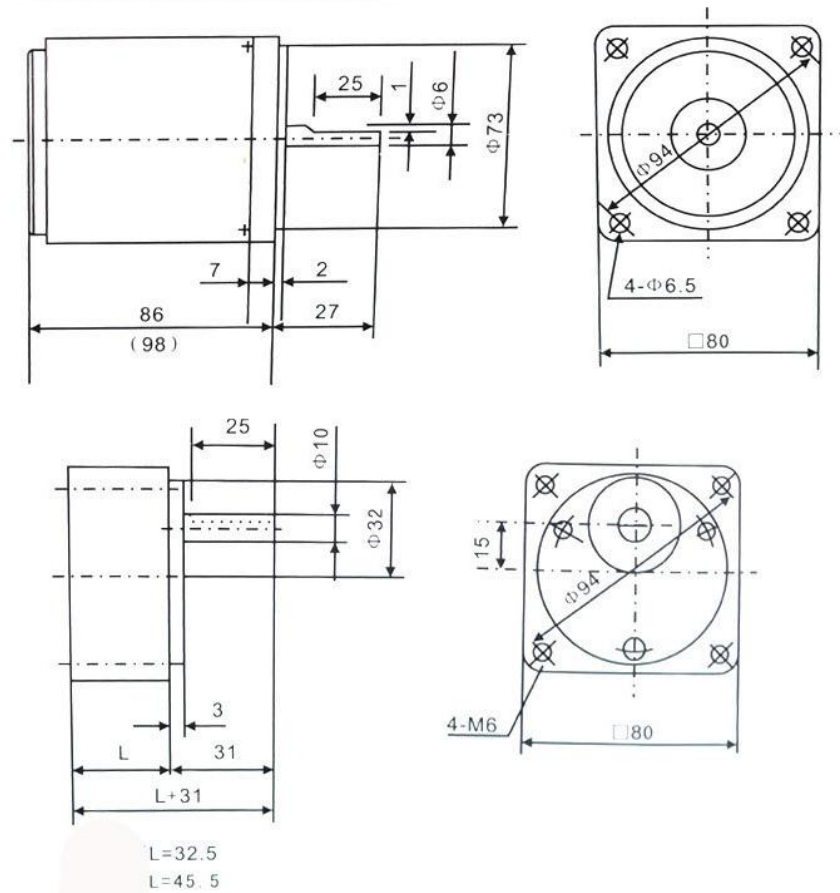
Rated torque: 2.05kgf.cm / 0.15N.m

Rated time: continue



25W Size:

25W Serie:



Tip: If the reduction ratio is larger, L (height) in the image is larger.

More Reduction Ratio

## Mehr Untersetzungsverhältnis

<b>3</b>	<b>3.6</b>	<b>5</b>	<b>6</b>	<b>7.5</b>	<b>10</b>	<b>12.5</b>
<b>15</b>	<b>18</b>	<b>20</b>	<b>25</b>	<b>30</b>	<b>36</b>	
<b>40</b>	<b>50</b>	<b>60</b>	<b>75</b>	<b>90</b>		
<b>100</b>	<b>120</b>	<b>150</b>	<b>180</b>			

## One-phase AC 220V 25W Adjustable Gear Reducer Motor

voltage (V)	speed (r/min)	Ratio 1: XXX	Rated Torque (N.m)	power
AC 220V	500	3	0.45	25 (W)
	400	3.6	0.55	
	300	5	0.78	
	250	6	0.90	
	200	7.5	1.15	
	150	10	1.55	
	120	12.5	1.86	
	100	15	2.25	
	80	18	2.60	
	75	20	2.78	
	60	25	3.43	
	50	30	4.15	
	40	36	4.90	
	35	40	5.57	
	30	50	6.50	
	25	60	7.8	
	20	75	7.8	
	16	90	7.8	
	15	100	7.8	
	12	120	7.8	
10	150	7.8		
8	180	7.8		
Tippe: <u>N.m=10 kg.cm</u>				

### Technical parameters Standard

The technical framework

Normal insulation resistance: 100MΩ

Insulator Dielectric Strength: AC1500V 1min

Engine noise: ≤50dB

### Work environment requirements

Humidity: -10 to 55 ° C

Relative humidity: <90%

### Storage environment requirements

Air temperature: -10 to 40 °

Relative humidity: <70%

Ventilated and no corrosive gas

### How to select suitable geared motors?

1: Load Conditions

2: according to speed range or reduction ratio

3: Working conditions and operating environment (temperature, humidity, corrosion, etc.)

# Produktmerkmale

PRODUCT PERFORMANCE CHARACTERISTICS



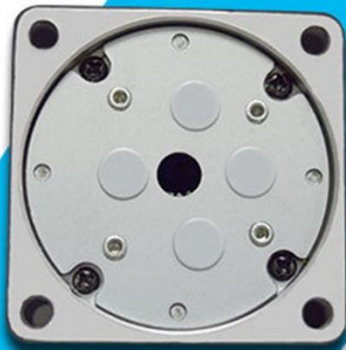
Spindelnase: Use reinforced Spindelnase, wear resistant and longer lifetime

---



Housing: high-Die-casting housing, compact Construction, small size, small Weight, not easy to rust

---



**Structure: The unique design inside,  
Good heat dissipation, safety and security  
Reliability, high efficiency**

---



**Gear: hardness treatment, high precision-  
Gear wheel, helical gear transmission  
Impact resistance and abrasion resistance  
to improve**

---



**Lubricants: Use the international  
Brand grease / lubricant for reinforcing  
The lubricating properties of the gear  
wheel, And also extend the service life**

---