

## 40W AC 220-240V 50/60HZ high rpm high torque electric motor with speed controller CW CCW industrial Variable for honey extractor

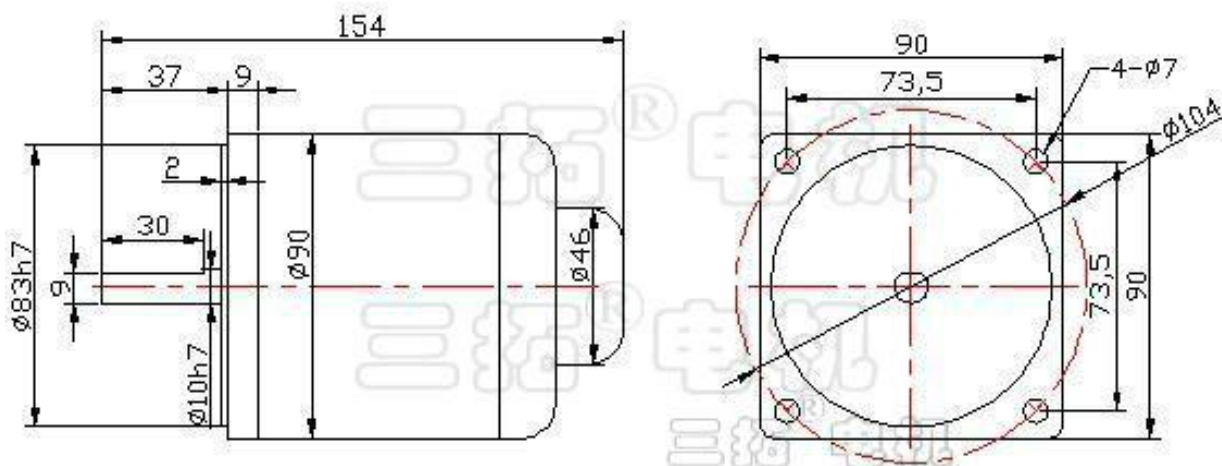
### Package including:

- 1x one-phase adjustable motor
- 1x US AC speed controller. (If you don't need speed controller, contact us to minus price)

### Item specifics

Certification:CCC,CE  
AC Voltage:208-230 / 240 V  
Output Power:40W  
Type:Induction Motor  
Frequency:50HZ/ 60HZ  
Rated Current: 0.4A  
Efficiency:IE 2  
Protect Feature:Drip-proof  
Phase:Single-phase  
Maximum Speed:1350 rpm (220VAC 50HZ), 1650 rpm (240VAC 60HZ)  
Maximum rated Torque:2.9 Kg\*cm  
Rotation direction:CW / CCW, need add a switch  
Voltage:AC 220V/240V(±15%)  
Noise:Less than 45dB  
Size(not include shaft):90\*90\*120mm  
Usage: packaging, printing, textile, dyeing, chemical, food, medical, advertising, office, petrochemical, instrumentation, stage lighting, transmission, automatic warehouse, parking access, construction

### Size



Widely used in packaging, printing, textile, dyeing,

chemical, food, medical, pharmaceutical construction machineries. And advertising, office, petrochemical, instrumentation,

stage lighting, transmission, automatic warehouse, parking access control system and other equipments.

### Product description:

-This motor with speed controller, reduce speed will reduce torque and power. If you don't need speed controller, please contact us to reduce price.

-This is one-phase AC 220V motor, this series motor maximum power is 200W. If you need power larger than 200W, you can contact us to buy three-phase AC 380V motor.

-If you need motor stop at an instant, it need brake for the motor, it will cost more \$50, please contact us to buy this.

-There are also other AC 220V one-phase motor for select as "Sheet 1"

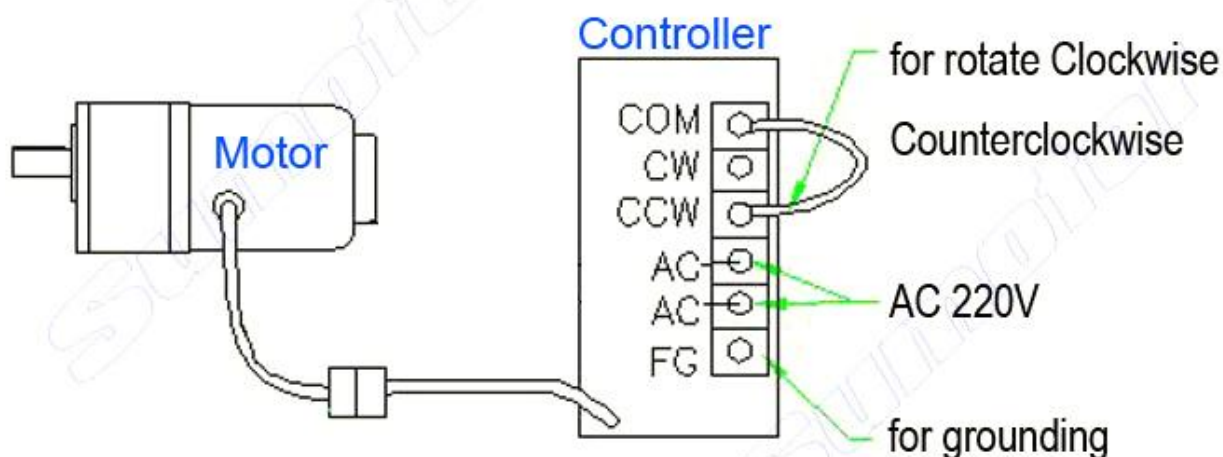
### Warranty

One-phase AC 220V series motor is factory sale, we guaranty its quality, the motor is guaranteed for 1 year.

We sincerely ask buyer to meter the current when you loading, **the Loading Current should not exceed our Rated Current**, current indicate the loading, **large current will affects motor lifespan.**

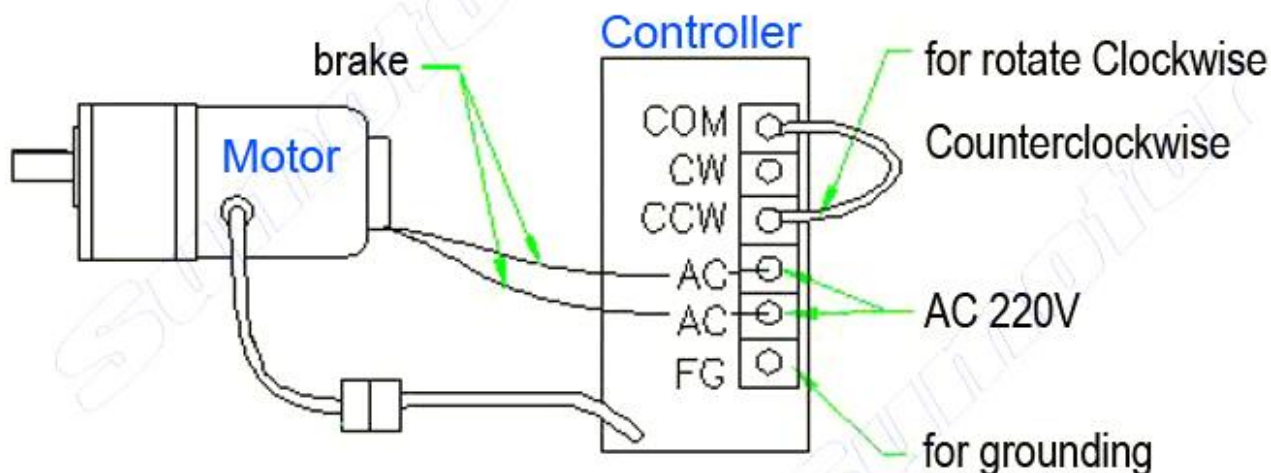
## Primary connection diagram: Motor+controller

### AC 220V adjustable gear motor connection diagram



With brake connection diagram

### AC 220V adjustable gear motor connection diagram

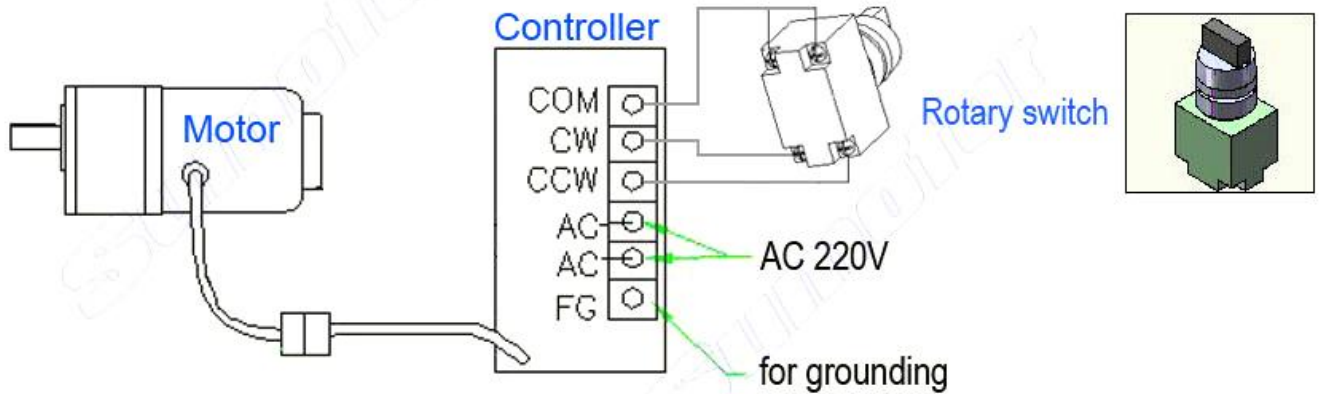


**Brake Fundamental:** When switch on brake, the resistance will disappear. When switch off brake, the brake will resist to motor rotation. When all circuit is closed, the brake will not affect the motor, at the instant of circuit open, brake will resist to stop motor instantly.

The brake cables must parallel connection with speed controller as the diagram. Switch on the circuit, the brake will make a clik sound, then you it start working now.

**WARING:** The brake cables must parallel connection with speed controller as the diagram. If brake is switch off, and motor switch on, the motor will RUINING.

## AC 220V adjustable gear motor connection diagram



We also have one-phase AC 220V series Geared Motor sheet:

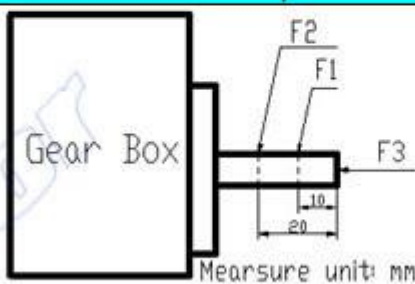
**One-phase AC 220V Adjustable Gear Reducer Motor (Sheet 1)**

Speed (rpm)	450	270	180	135	90	67.5	54	45	33.5	27	22.5	18	15	13.5	11.2	9	7.5	Rated Current (A)	Dimension exclude shaft (mm)	Gear Box	Net Weight (Kg)
Reduction Ratio	3	5	7.5	10	15	20	25	30	40	50	60	75	90	100	120	150	180				
Power(W)	Rated Torque (Kg*cm)																				
6	1.6	2.6	4	4.8	7.2	9.3	12	14.5	19.4	20	21.7	24	29	30				0.13	60*60*130	2GN	1.3
25	4.5	7.8	11.5	15.5	22.5	27.8	34.3	41.5	55.7	65	78	80				0.3	80*80*145	4GN	2.5		
40	7.2	11.8	17.6	23.5	35	44	54	64	85	95	100				0.4	90*90*175	5GN	3.8			
60	10.8	17.8	26.5	35	49	70	80	96	127	155	180	200				0.7	90*90*200	5GU	4.2		
90	16.2	29	42	54	78	98	120	147	187	200				1	90*90*225	5					
120	21	35	53.5	70	104	130	160	190	200				1.4	90*90*246	6						
180	30	50	77	103	154	187	230	278	334	410	440				1.8	104*104*265	6GN	8.3			
200	34	57	86	115	170	206	258	308	413	440				2	104*104*265	8.8					

Remark: Dimensions and weight of list may be a little different from real products. Due to gear box length depend on ratio.

**(Sheet 1)**

**output shaft bearing Overhang Force & Push Force (Sheet 2)**



Motor Power	Shaft Diameter	Max.F1 (Overhang)	Max.F2 (Overhang)	Max. F3 (Push)
6W	8mm	5 Kg	8 Kg	3 Kg
25W	10mm	10 Kg	15 Kg	5 Kg
40W	12mm	25 Kg	35 Kg	10 Kg
60~120W	15mm	40 Kg	60 Kg	15 Kg
180~200W	15mm	50 Kg	70 Kg	18 Kg

**(Sheet 2)**