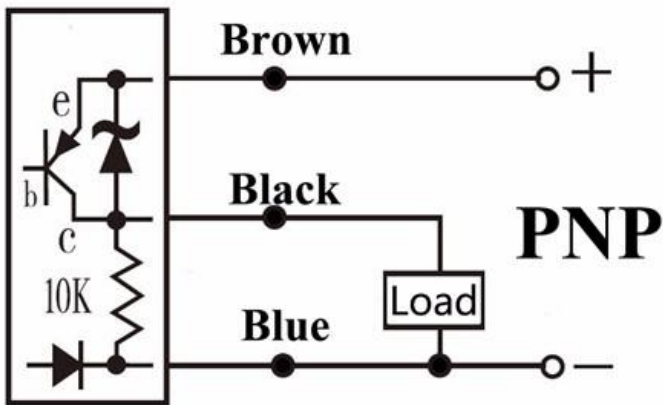
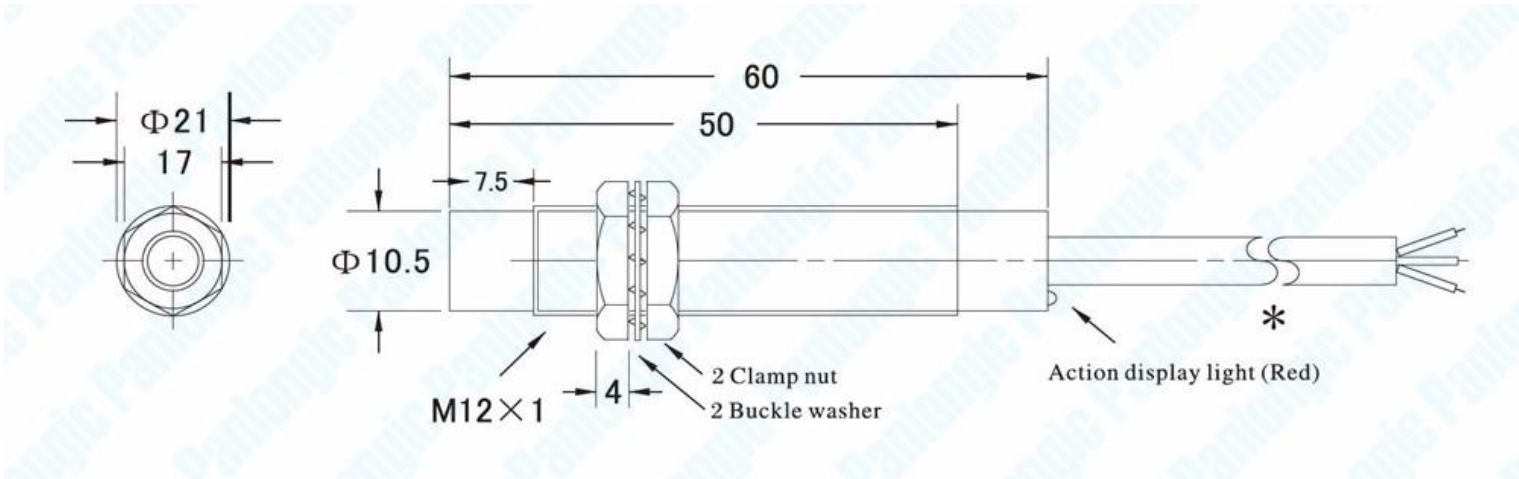


Product Feature:

It's brand new, good quality & high performance Inductive Proximity Sensor
Detection Switch PNP DC6-36V LJ12A3-4-Z/BY

Product Name	Inductive Proximity Switch
Model	LJ12A3-4-Z/BY
Wire Type	Cylindrical DC 3 Wire Type (Black, Brown, Blue)
Switch Appearance Type	Cylinder Type
Theory	Inductive Sensor
Output Type	PNP NO(Normally Open)
Diameter of Head	12mm
Detecting Distance	4mm
Supply Voltage	DC 6-36V
Current Output	300mA
Response Frequency	0.5KHz
Detect Object	Iron
Operating Temperature	-25 °C to +55 °C (Non-freezing Condition)
Size	6.2 x 2cm/2.4" x 0.8" (L*Max. Dia)
Cable Length	110cm/43.3"
External Material	Plastic, Alloy
Net Weight	46g
Color	Silver Tone, Yellow, Gray

Please check pictures for more details.



Detection object	Yes	NO
	No	
Load	Action	
	Reset	
Indicator detected	ON	
	OFF	