

**500M 15 channels AC230V radio control set 1 transmitter & 15 receiver high range 3000W for light motor pump house / industrial automation radio remote switch garage**

delivery

15 x receiver

1 x transmitter with battery

characteristic

Wireless control, easy to install.

30A Relay High Power: Each relay output can operate at a maximum current of 30A and you do not need to buy an extra AC contactor. The maximum output of devices is 3000w, such as pumps, mud pumps, motors, lamps, fans, blowers, insecticide, spraying machines, car washers, bells ..... and other electrical appliances.

Supheterodyne receiver / receiver modules: strong interference, high sensitivity, stable, and it can also improve the range.

US-Power GMBH Switch Network Management Chip: Stable, durable, low power consumption

With learn button you can simply delete the code or learn, even though you have lost the original remote

Application: light, television, motors, fans, cameras, video signals, audio signals, electric doors / locks / windows / blinds / cars or other devices.

You could turn the receiver on / off with a transmitter (remote control) from any location within a reliable distance. The wireless radio signals can run through walls, floors and doors

Reliable control: The transmitter (encoding) and the receiver (decoding) use an 8-bit code.

Independent Control: You can use two or more devices at the same location.

One or more transmitters can simultaneously control one or more receivers.

parameter

Item Type: Switch

Range: 0-500M

Switch Type: Remote control

Channel: 15 channels

Working temperature: -10'C- + 70'C

Operating voltage: 85V-260VAC

Maximum operating current: 30A

Rated power:  $\leq 3000W$

Working frequency: 315MHz

Sensitivity:  $\geq -114dBm$

Encoding type: learning code

Size Receiver: 75mm x 55mm x 28mm

Control mode Description

Toggle (1 button on / same button off)

Latch (1 key on / another key off)

Momentary (push button function, relay moves as long as button is pressed)

ATTENTION: If you want to use other control modes, you need to delete the original modes.

To learn

1: Turn on the power until the light illuminates for 3 seconds when light is off, press the learn button again.

2: Now the light is always on, press the transmitter button immediately, then the LED indicator is switched off. It means that learning is successful.

Delete the code

1: Turn on the power until the light lights for 3 seconds.

2: When light is off, press and hold the Learn button until the light is ON. Approx. 8 seconds the light is switched off. It means that all stored codes have been deleted

Learning method about ALL-ON

1: Turn on the power and indicator is on, then immediately press the learn button twice, and the light is turned off and on twice. Until the LED indicator is ON, press the transmitter button, then the LED indicator is off. It means that learning for ALL-ON is successful.

Learn method about ALL-OFF

1: Turn on the power and indicator is on, then immediately press the learn button, and the light will turn off and on. Until the LED indicator is ON, press the transmitter button, then the LED indicator is off. It means that learning for ALL-OFF is successful.

notice: if you need ALL-ON, ALL-OFF function, Please tell us,

reach

Max. Range in the free-range: 500m (maximum range of the sensor / signal under optimal conditions, or in the open field / with clear visual connection.)

Note

The hand transmitters have a range in the free field of about 500m. Constructions, interfering radiation and interference fields reduce the range.

The control should not be installed in the direct vicinity of metallic surfaces. Strong local transmitters (e.g., radio headphones whose transmit frequency is identical to the controller may interfere with reception.)

**How to set control mode?**

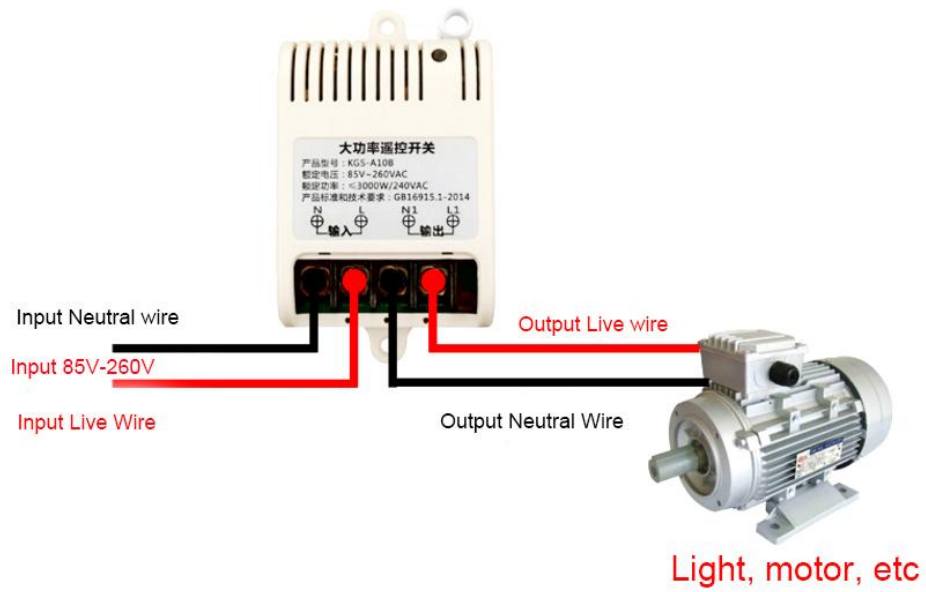
### Kontrollmodus Einstellen

Position von T M auf Platine

M T → Toggle

M T → Momentary

M T → Latch



# Anwendung



Kunder Anwendung:

