

15 channels DC 12V RF home automation remote control switch 315MHz 433MHz transmitter and receiver wireless switch radio intelligent home control

delivery

1 x receiver

1 x transmitter with battery

characteristic

Wireless control, easy to install.

With learn button you can simply delete the code or learn.

Application: 15 channel radio remote control can be used in industrial automation, agricultural and home automation, such as factory, home, farm, pasture, vehicles, ships, offshore operation, aircraft, field call, etc. Wireless remote control products on land, Water and air, such as funnel switches, sirens, locks, motors, fans, winches, blinds, electric cylinders, doors, windows, solenoid valves, signaling, business signs, etc.

You could turn the receiver on / off with a transmitter (remote control) from any location within a reliable distance. The wireless radio signals can run through walls, floors and doors

Reliable control: The transmitter (encoding) and the receiver (decoding) use an 8-bit code.

One or more transmitters can simultaneously control one or more receivers.

If you use two or more receivers in the same place, you can set them with different codes.

parameter

Item Type: Switch

Model: APDC-15L

Range: 0-200M

Features: Input DC12V / DC 5V / DC 24V

Working range of relay: AC110 ~ 240V or DC0 ~ 28V (relay output can control DC and AC devices)

Switch Type: Remote control

Channel: 15 channels

Working temperature: -10°C- + 70°C

Operating voltage: 12V

Maximum operating current: 10A

Working frequency: 315MHz / 433MHz

Sensitivity: $\geq -105\text{dBm}$

Encoding type: learning code

Size Receiver: 117mm x 73mm x 18mm

Transmitter Size: 127 * 41 * 20mm

Antenna: with internal antenna

Control mode Description

Toggle (1 button on / same button off)

Latch (1 key on / another key off)

Momentary (pushbutton function, relay moves as long as button is pressed)

Set the control mode

Toggle: When the receiver is in the LEARNING state, press the 1 button on the remote control.

Toggle (Channel 1 ~ 15): Press -> Open; Press again -> Close.

Press 1, channel 1 is switched on, press button 1 again, channel 1 is switched off. etc..

Momentary: When the receiver is in the LEARNING state, press the 2 button on the remote control.

Currently (Channel 1 ~ 15): Press and hold-> Open; Freed -> Close.

Press 1, channel 1 is switched on, release button 1, channel 1 is switched off. etc..

Latch: When the receiver is in the LEARNING state, press the 3 button on the remote control.

Control mode Latched (Channel 1 ~ 15): Press -> Open, other relays off; Press other key -> Close.

Press 1, channel 1 is switched on; Press 1 button, channel 2 is switched on, and channel 1 is switched off. etc..

Toggle + Momentary: When the receiver is in the LEARNING state, press the 4 button on the remote control.

Control Mode Toggle (Channel 1 ~ 8) + Control Mode Momentary (Channel 9 ~ 15)

Toggle + Momentary: When the receiver is in the LEARNING state, press the 5 button on the remote control.

Control Mode Toggle (ONLY Channel 1) + Control Mode Momentary (Channel 2 ~ 15)

Learning and steps

1. Press the learn button of the receiver until the LED indicator lights up, the receiver remains in the status of READING.

2. Then you can press the button according to your request. If the LED flashes 1 time, it means that the learning is successful.

Delete the learned code

Press and hold the receiver's learn button for 8 seconds until the LED indicator is off (Buzzer sounded for about three seconds), it means that all saved codes have been successfully deleted.

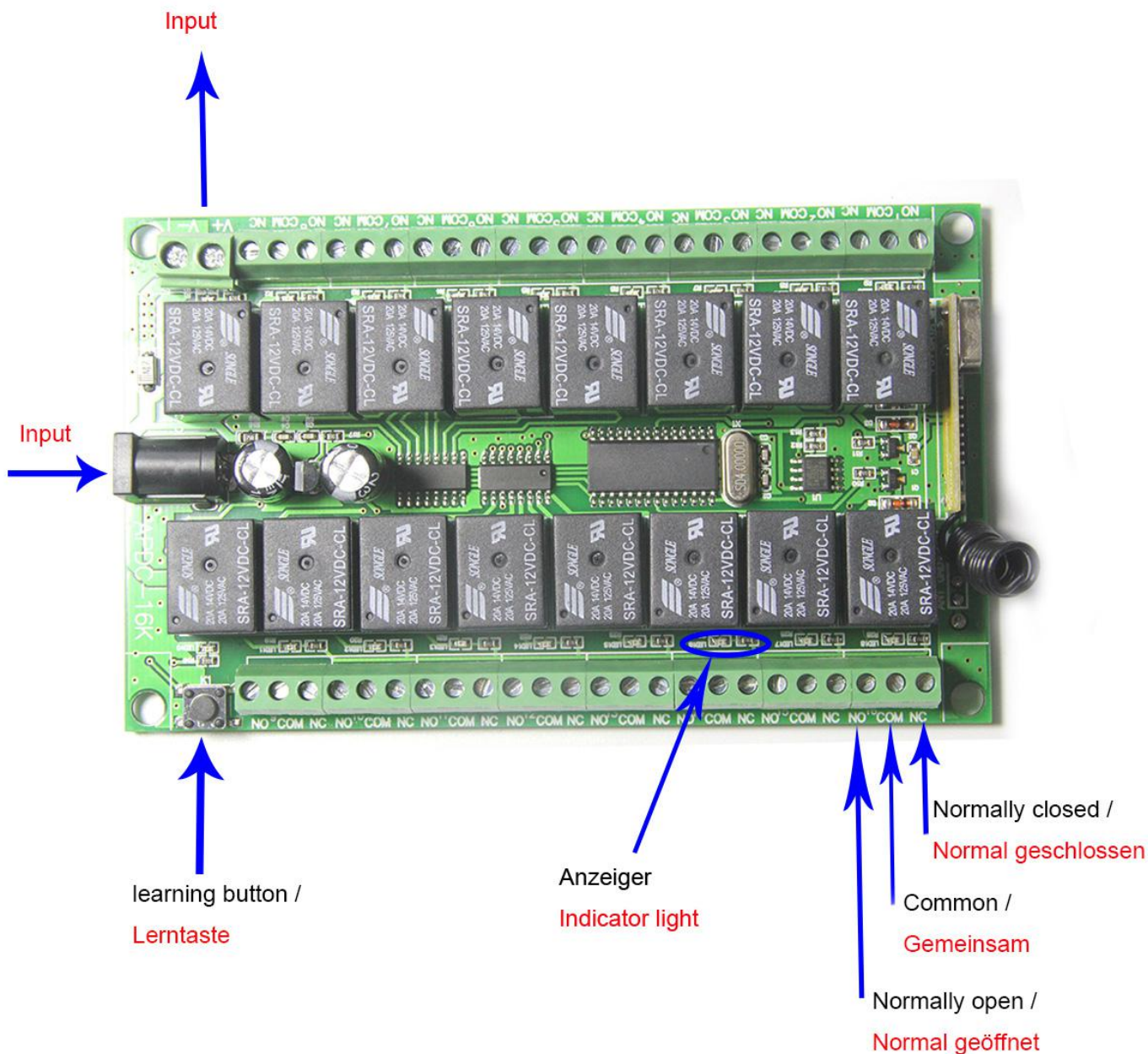
reach

Max. Range in the free-range: 200m (maximum range of the sensor / signal under optimal conditions, or in the open field / with clear visual connection.)

Note
The hand transmitters have a range in the free field of about 200m. Constructions, interfering radiation and interference fields reduce the range. The control should not be installed in the direct vicinity of metallic surfaces. Strong local transmitters (e.g., radio headphones whose transmit frequency is identical to the controller may interfere with reception.)

Service

E-Mail: sale@einausschalten.com
Tel: +86 183 2644 0199

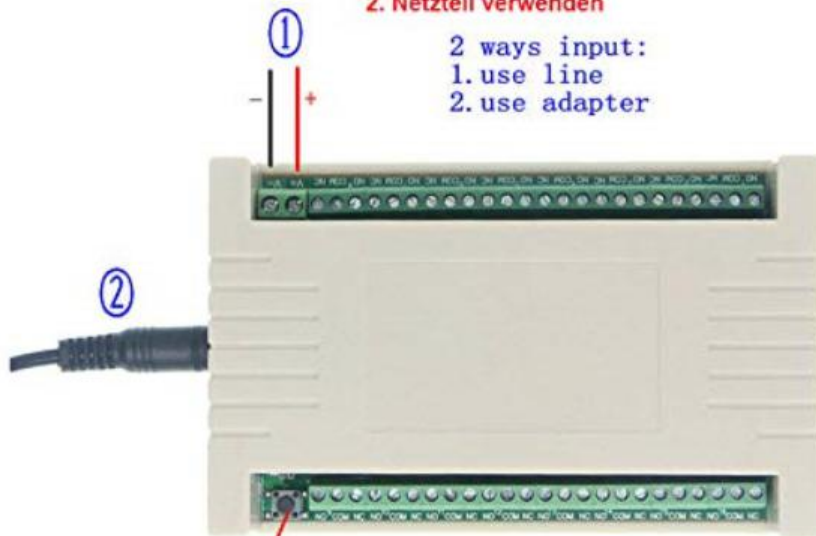


2 Arten Input

1. Linie verwenden

2. Netzteil verwenden

2 ways input:
1. use line
2. use adapter



learning button

Lerntaste

size:125 *80 * 30 mm
weight:204g

