

## **RF 1CH 433mhz 1 button Wireless Remote Control Switch 12v Light DC3V-24V Mini Receiver Home Office Bedroom Led**

### **Item specifics**

Package:Yes  
Frequency:433 MHz  
Channel:1  
Use:Universal  
remote control color and material:white and plastic  
remote control distance :Is greater than 200M  
Products include:1pieces remote control and 1 pieces module  
Working Voltage:3V-24V  
Maximum load power:less than 5W  
Standby current:0.2mA  
The battery model of remote control:6F22 9v(include)  
remote control button:1 button

### characteristic

- 1.360 degree,NO dead Angle
- 2.RF Remote Control Switch,can through walls
- 3.Ultra low power,Suitable for battery
- 4.Super small size,Factory direct sale
- 5.Independent coding, many sets will be not interference of each other
- 6.If need more set of general,please descr

- 1.Products small size, wiring simple, suitable for DIY modified
- 2.Remote control directly control the power of open and close

### Product scope

LED lamps and lanterns. WIFI devices. Wireless monitoring equipment. The battery switch. Electric control lock. Press the power switch. A small motor. The motor. Buzzer. The electromagnet .Laser .Electronic circuit board power supply equipment

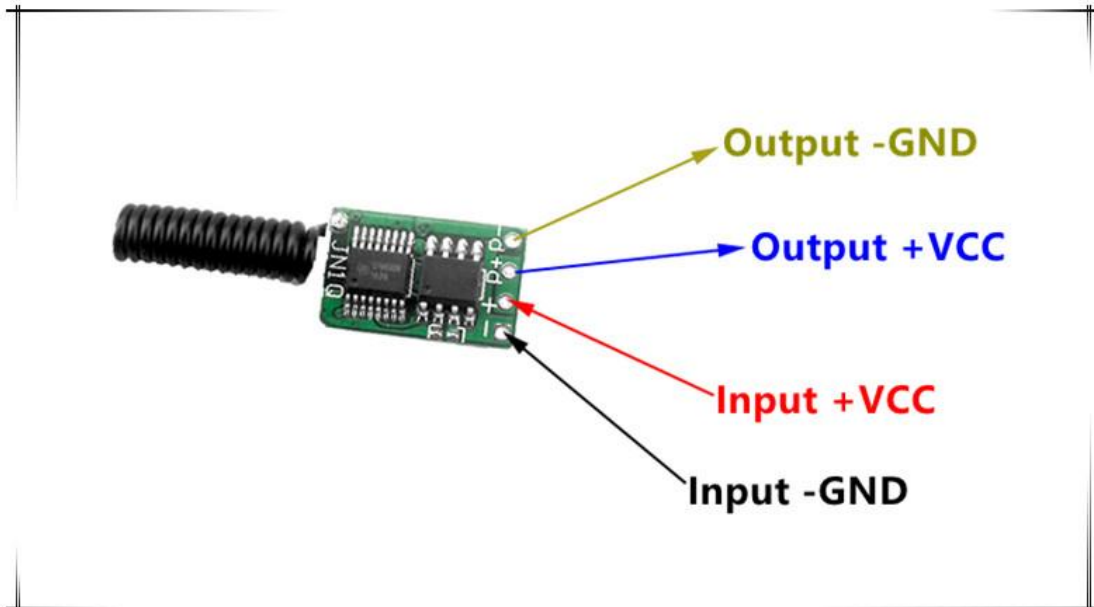
### Product parameters

Working voltage: DC 3V-24V  
module dissipation: 7mA  
Product frequency:433MHZ  
The output voltage=The input voltage  
Load power: Less than 10 watts of equipment  
Remote control distance: Empty distance greater than 200M

### Product detail

Remote control size: 5.34inch\*1.67inch\*0.85inch  
Module size: 0.65inch\*0.41inch\*0.13inch

### Product wiring instructions



The power input voltage equal to the power output voltage  
For example  
The input voltage is equal to "5 v" then the output voltage is equal to "5 v"  
Click on the remote control red button, Output module, power on  
Loose the remote control red button, output module, power off  
Controller for 1 second delay reaction time

