

## Mini RF DC3.7V to 24V 2 Relay Wireless Remote Control Switch 12v Learning Controller 433mhz Receiver +Transmitter

### Item specifics

Package:Yes

Frequency:433 MHz

Channel:1

Use:Universal

Power supply module:DC 3.7V to24V

Module consumption:Standby current 7mA and Work current 30mA

Module load:1A(Less than 10 watts)

Module size:0.95inch\*0.43inch\*0.31inch

Remote control size:5.34inch\*1.67inch\*0.85inch

Wireless Frequency:433mhz

Remote control button:2 button

Control distance:greater than 200 meters open environment, can through walls

The customers diy:can be DIY

### Product preponderance

1.360 degree,NO dead Angle

2.RF Remote Control Switch,can through walls

3.Ultra low power,High sensitive response

4.Super small size,Factory direct sale

5.Independent coding, many sets will be not interference of each other

6.If need more set of general,please descr

### Product scope

The module of the output port, The equivalent of rocker switch and toggle switch ports

### Product parameters

Power supply module: DC 3.7V to24V

Module consumption: Standby current 7mA、 Work current 30mA

Module load: 1A(Less than 10 watts)

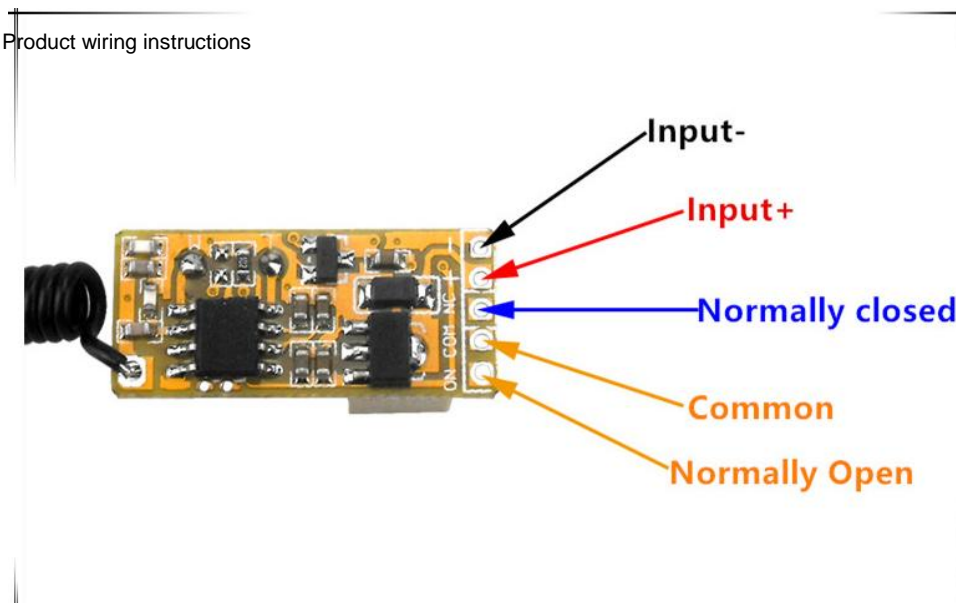
Module size:0.95inch\*0.43inch\*0.31inch

Remote control size:5.34inch\*1.67inch\*0.85inch

Wireless Frequency: 433 mhz

Control distance: Is greater than 200 meters open environment, can through walls

### Product wiring instructions



Correct access power supply products, Use the remote control

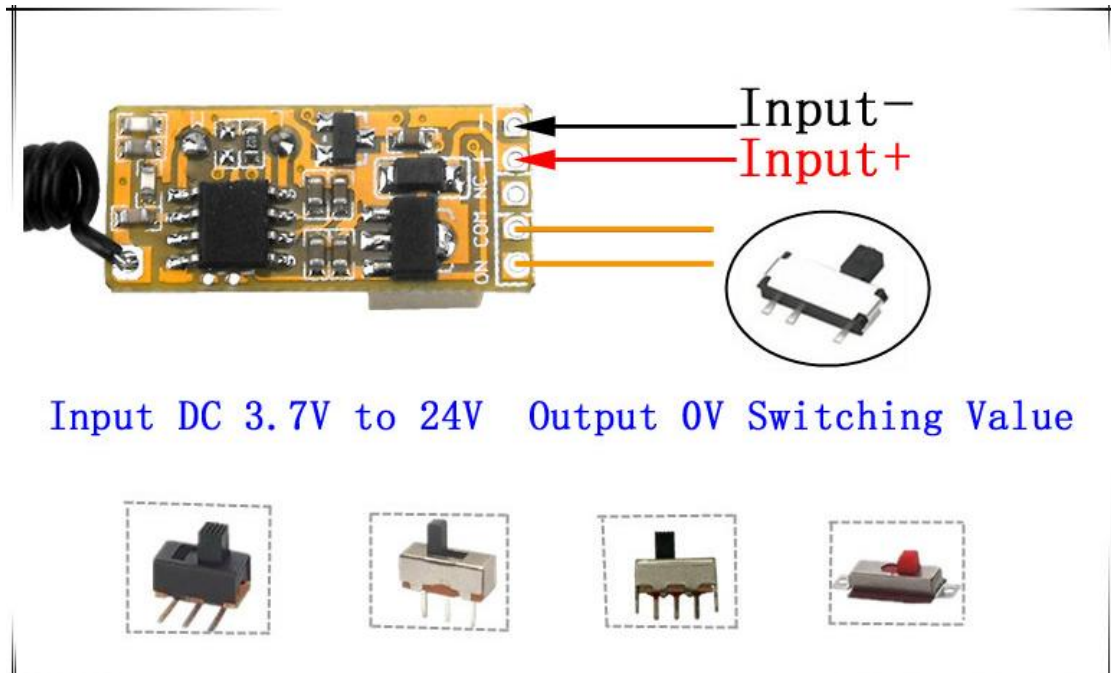
The standby mode is default module, The two yellow wires are disconnected

Click on the button, The two yellow wires are connected

Click off the button, The two yellow wires is disconnected

Without memory function of the module, if Power off or Remote closing, Standby mode is to control site

## Toggle switch sample figure



## Direct load figure

