

RF 1CH mini Remote Control Switch 12v DC3.7v to 24v Universal Relay Transmitter 433mhz receiver
Module home office

Item specifics

Package:Yes

Frequency:433 MHz

Channel:1

Use:Universal

Power supply module:DC 3.7V to24v

Module consumption:Standby current 7mA

Work current-30mA

Module load:1A(Less than 10 watts)

Module size:0.9inch*0.43inch*0.31inch

Control distance:20 meters open environment, can through walls

product include:1 remote control and 1 Module

remote control size :2.32inch*1.33inch*0.47inch

purpose:The module of the output port, The equivalent of inching switch

remote control button:1 button

The customer diy:Suitable for the customer DIY

Anntem RF Door Access Openner Button Remote Control Switch Intercom Button Wireless Switch Video door phone
Button Remote Switch

Product preponderance

1.360 degree,NO dead Angle

2.RF Remote Control Switch,can through walls

3.Ultra low power,High sensitive response

4.Super small size,Factory direct sale

5.Independent coding, many sets will be not interference of each other

Relay of remote control switch

Prompt : products output without power. Output port respectively are NO and Com switch on or disconnection

Product scope

The module of the output port, The equivalent of inching switch、 Point switch、 starting switch、 press switch、 Trigger switch

Product parameters

Power supply module: DC 3.7V to 24V

Module consumption: Standby current 7mA、 Work current 30mA

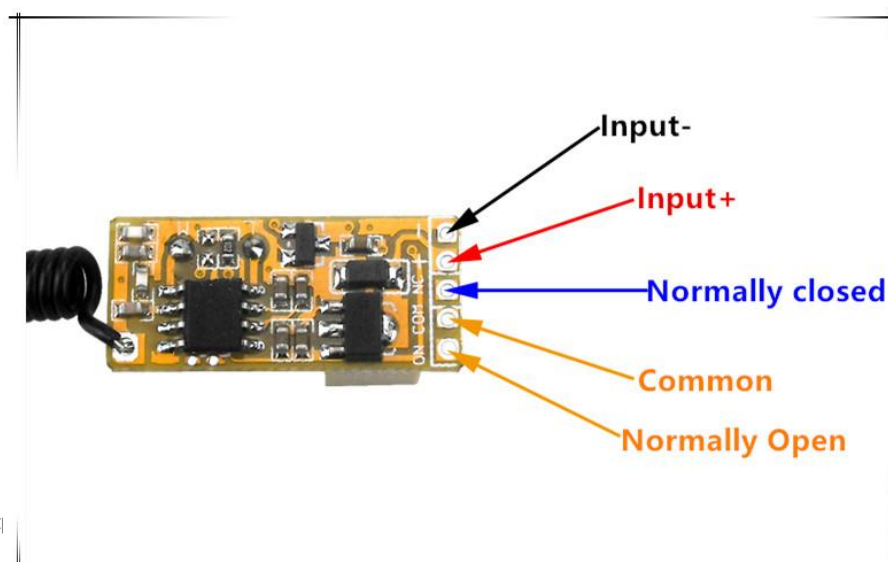
Module load: 1A(Less than 10 watts)

Module size: 0.9inch*0.43inch*0.31inch

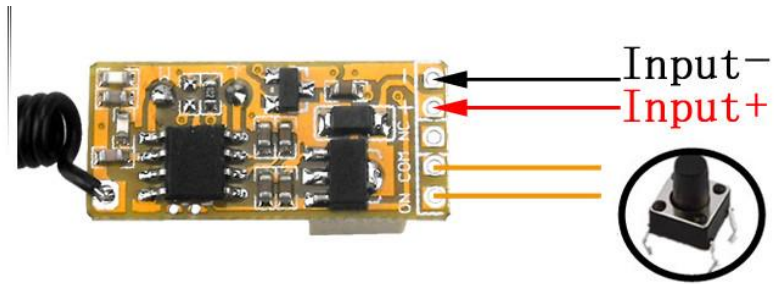
Remote control size: 2.32inch*1.33inch*0.47inch

Control distance: 20 meters open environment, can through walls

Product wiring instructions



Inching switch sample figure



Input DC 3.7V to 24V Output 0V Switching Value



Direct load figure

