

door access control system 12V DC 1CH Wireless Remote Switch 315/433.92 rf remote control light switch Receiver 5 Transmitter

Product Description

Specifications:

Operating Voltage: DC12V

Operating Current: $\leq 6\text{Ma}$

Operating Frequency: 315,433 MHz

Operating Temperature: $-40\text{ }^{\circ}\text{C} \sim +80\text{ }^{\circ}\text{C}$

Receiver Sensitivity: $\geq -105\text{dBm}$

Output Voltage: AC / DC (optional)

Output Current: $\leq 10\text{A}$

Code :Learning code .(jog/Non-Latched .inter-lock/Latched .self-lock /Self Latched)

Size: 35MM*32MM*17MM

Output working way:

Jog/Non-Latched: press one button is working /ON. loosen your finger on the same button is stop/OFF .one channel switch need one buttons remote control

Self-lock/Self-Latched: press one button for one time is working/ON .press the same button again is stop/OFF .(one channel switch need one buttons remote control

Inter-lock /Latched : press one button is working/ON ,press another button is stop/OFF . (one channel switch need 2 buttons remote control)

Learning Method:

Press the learning button 3 seconds, the indicator light off .then you press any buttons of the remote control to transmute signal . it means studying successfully when the indicator flash 3 times until the indicator light on.

Remove code:

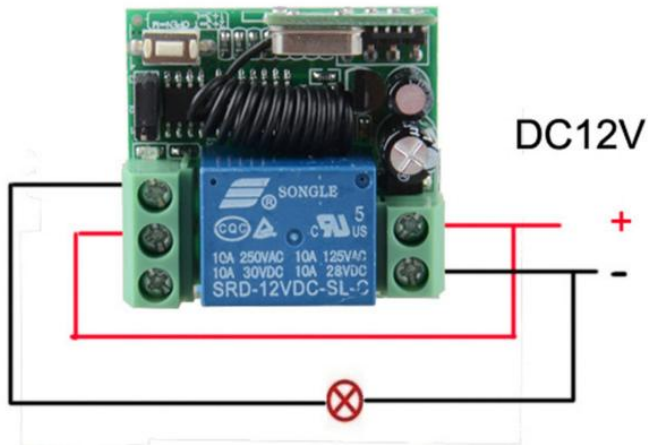
press the learning button about 8 seconds , the indicator turn on to off to on , it means the information that you keep have been removed successfully .

Package Include:

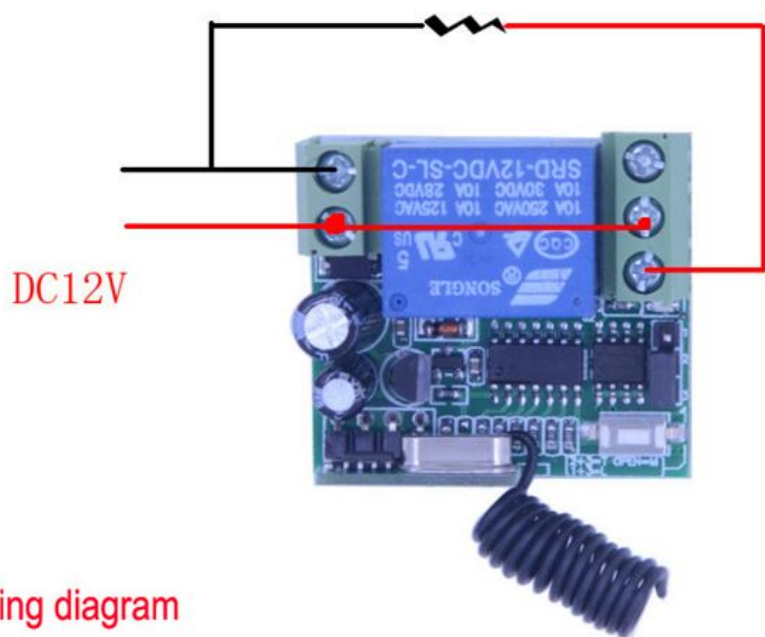
- 1 x Receiver(with cover)
- 1 x Transmitter(with battery)



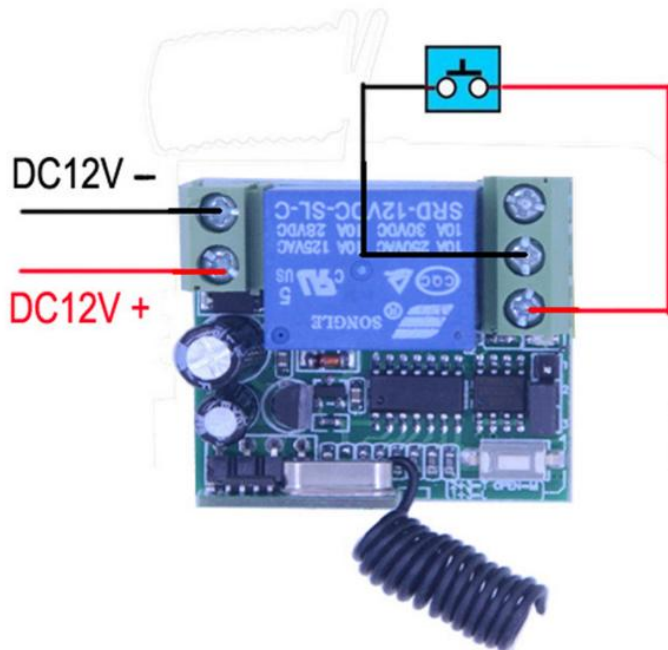
DC12V Wiring diagram



Electric Control Lock



Entrance guard control wiring diagram



DC12V -

DC12V +



Jumper: 1&2 working way Latched

Jumper: 2&3 working way Toggle

Jumper on 1 pin: working way Momentary

To change Latched Toggle Momentary

Switch size:

35*32*17mm

