

# RF 6PCS Transmitter Receiver DC 12v 10A 1CH wireless RF Remote Control Switch System +Case For Entrance guard , Lighting System

## Product Description

### Specifications:

**Operating Voltage:** DC12V

**Operating Current:**  $\leq 6\text{Ma}$

**Operating Frequency:** 315,433 MHz

**Operating Temperature:**  $-40\text{ }^{\circ}\text{C} \sim +80\text{ }^{\circ}\text{C}$

**Receiver Sensitivity:**  $\geq -105\text{dBm}$

**Output Voltage:** AC / DC (optional)

**Output Current:**  $\leq 10\text{A}$

Code :Learning code .(jog/Non-Latched .inter-lock/Latched .self-lock /Self Latched )

**Size:** 35MM\*32MM\*17MM

### Output working way:

**Jog/Non-Latched:** press one button is working /ON. loosen your finger on the same button is stop/OFF .one channel switch need one buttons remote control

**Self-lock/Self-Latched:** press one button for one time is working/ON .press the same button again is stop/OFF .(one channel switch need one buttons remote control

**Inter-lock /Latched :** press one button is working/ON ,press another button is stop/OFF . ( one channel switch need 2 buttons remote control )

### Learning Method:

Press the learning button 3 seconds, the indicator light off .then you press any buttons of the remote control to transmute signal . it means studying successfully when the indicator flash 3 times until the indicator light on.

### Remove code:

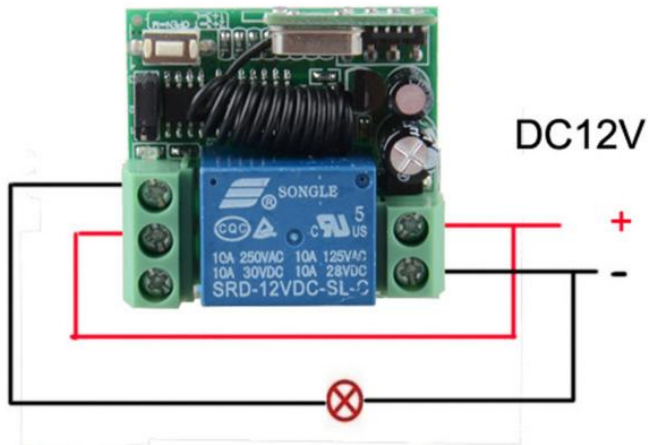
press the learning button about 8 seconds , the indicator turn on to off to on , it means the information that you keep have been removed successfully .

### Package Include:

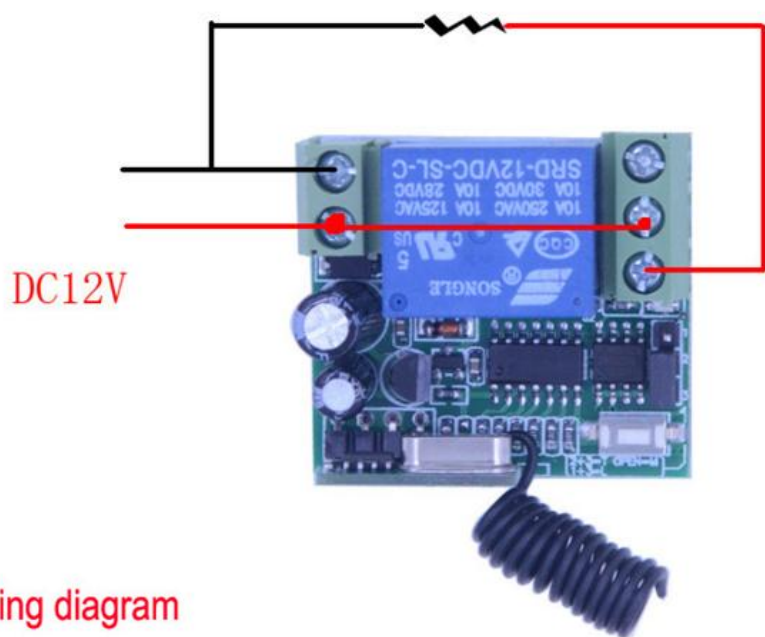
- 1 x Receiver(with cover)
- 6 x Transmitter(with battery)



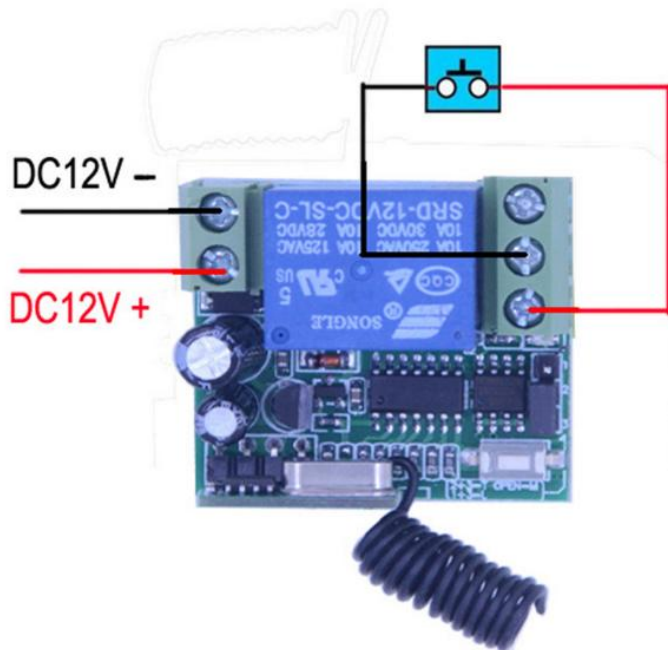
## DC12V Wiring diagram



Electric Control Lock



## Entrance guard control wiring diagram





Jumper: 1&2 working way Latched

Jumper: 2&3 working way Toggle

Jumper on 1 pin: working way Momentary

To change Latched Toggle Momentary

Switch size:

35\*32\*17mm

