

Product Description

**Specifications:**

**Operating Voltage:** DC12V

**Operating Current:**  $\leq 6\text{Ma}$

**Operating Frequency:** 315,433 MHz

**Operating Temperature:**  $-40\text{ }^{\circ}\text{C} \sim +80\text{ }^{\circ}\text{C}$

**Receiver Sensitivity:**  $\geq -105\text{dBm}$

**Output Voltage:** AC / DC (optional)

**Output Current:**  $\leq 10\text{A}$

Code :Learning code .(jog/Non-Latched .inter-lock/Latched .self-lock /Self Latched )

**Size:** 35MM\*32MM\*17MM

**Output working way:**

**Jog/Non-Latched:** press one button is working /ON. loosen your finger on the same button is stop/OFF .one channel switch need one buttons remote control

**Self -lock/Self-Latched:** press one button for one time is working/ON .press the same button again is stop/OFF .(one channel switch need one buttons remote control

**Inter-lock /Latched :** press one button is working/ON ,press another button is stop/OFF . ( one channel switchneed 2 buttons remote control )

**Learning Method:**

Press the learning button3 seconds, the indicator light off .then you press any buttons of the remote control to transmute signal . it means studying successfully when the indicator flash 3 times until the indicator light on.

**Remove code:**

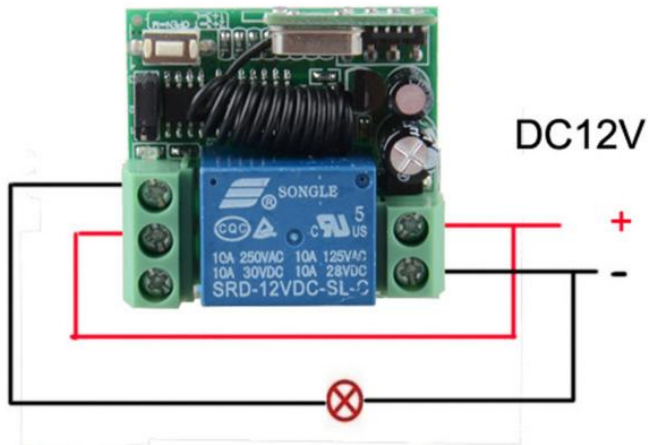
press the learning button about 8 seconds , the indicator turn on to off to on , it means the information that you keep have been removed successfully .

**Package Include:**

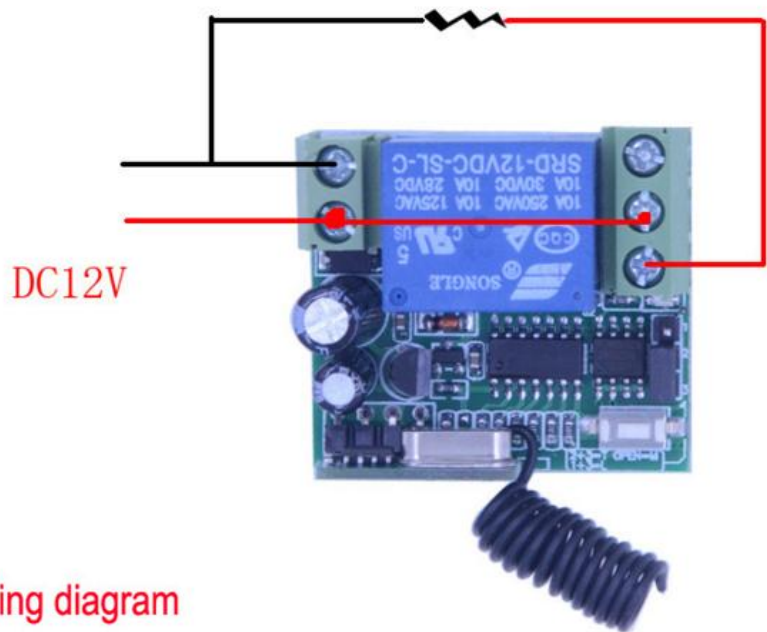
- 1 x Receiver(with cover)
- 4 x Transmitter(with battery)



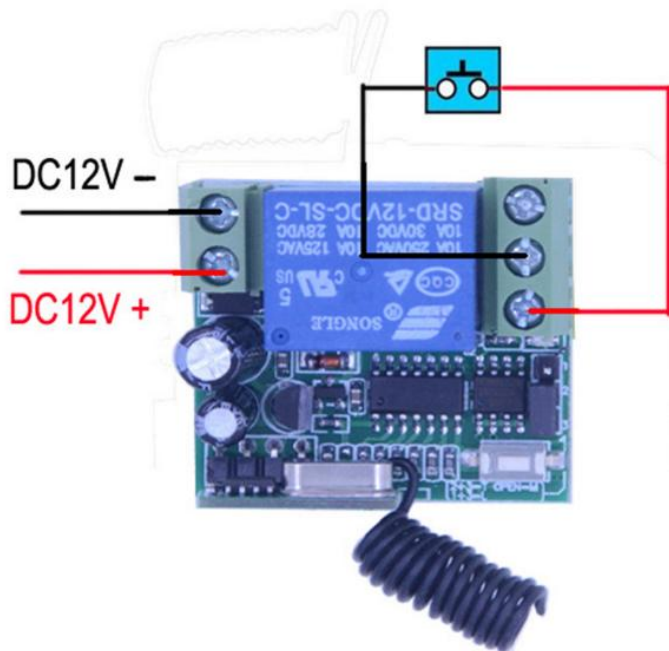
# DC12V Wiring diagram



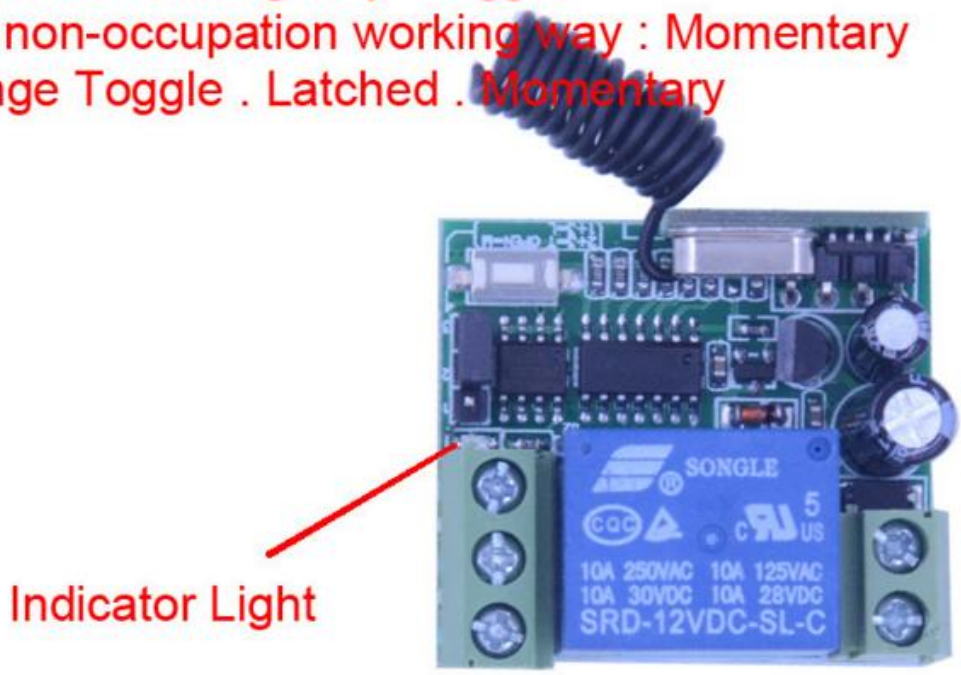
Electric Control Lock



# Entrance guard control wiring diagram



Jumper: 1&2 working way Latched  
 Jumper: 2&3 working way Toggle  
 Jumper non-occupation working way : Momentary  
 To change Toggle . Latched . Momentary



Switch size:  
 35\*32\*17mm

