

3000M DC12V 10A 1CH 315/433MHz RF Wireless Remote Control Power Switch Radio Controller Transmitter Receiver With Antenna

Package Include:

1 x Receiver(without cover)
1x Transmitter(with battery)

Item specifics

Brand Name:CENTURY AOKE
Item Type:Switches Features:With antenna
Warranty:1 year
Remote Distance:100-3000m
Model Number:12V 4ch+3000
Switch Type:Remote Control

Product Description

Feature:

Wireless control, easy to install.

Control Lights, TVs, Motors, Fans, Cameras, Video signals, Audio signals, electrically operated Doors/ Locks/ Windows/ Blinds/ Cars or Other Appliances with voltage AC110~240V or DC0~28V.

You can turn on/off the receiver with transmitter (remote control) from any place within a reliable distance; the wireless signal can pass through walls, floors and doors.

Reliable control: The transmitter (Encoding) and the receiver (Decoding) use an 8-bit code.

One/ several transmitters can control one/ several receivers simultaneously.

If you use two or more receivers in the same place, you can set them with different codes.

Transmitting Frequency: 315MHz / 433MHz.

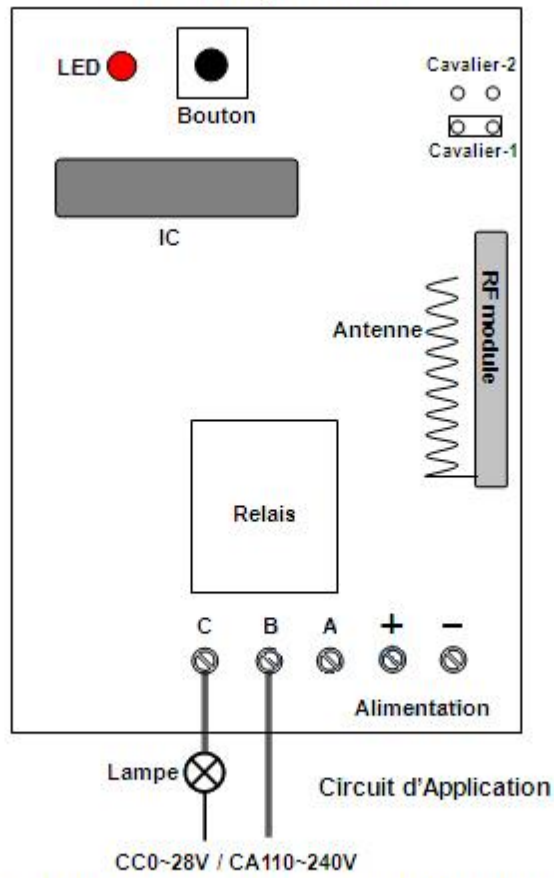
Receiver:

Model No.: S1PU-DC12
Channel: 1 CH
Control Mode: Toggle, Momentary, Latched
Coding Type: Learning code
Coding Setting: By learning
Power Supply (Operating Voltage): DC12V1V (S1PU-DC12)
Working Voltage Range of Relay: AC110~240V or DC0~28V
PCB size: 74mm x 52mm x 21mm
Case size: 79mm x 58mm x 35mm
Maximum Working Current: 30A
Transmitter:
Model No.: CB-2
Channel: 2 Buttons
Remote Control Distance: 3000m
Encode: Fixed code by Pins
Unit size: 135mm x 42mm x 25mm
Power Supply: 1 x 6F22-9V battery (Battery not include)
External extend antenna:
Frequency Range: 300~450MHz
Impedance: 50
Antenna Length: 15cm
Cable Length: 150cm
Weight: 35g
Anti-interference, waterproof, shielded wire set inside
Magnetic stand design for easy to install

Usage:

- 1) Setting control mode Toggle: Only connect Jumper-1.
Control mode Toggle: Press -> On; Press again -> Off.
Press button 1: Turn on the relay (connect B and C, disconnect A and B)
Press button 1 again: Turn off the relay (disconnect B and C, connect A and B)
- 2) Setting control mode Momentary: Only connect Jumper-2.
Control mode Momentary: Press and hold -> On; Release -> Off.
Press button 1 and hold: Turn on the relay (connect B and C, disconnect A and B)
Release button 1: Turn off the relay (disconnect B and C, connect A and B)
- 3) Setting control mode Latched: Disconnect Jumper-1 and Jumper-2.
Control mode Latched: Press -> On, other relays Off; Press another button -> Off.
Press button 1: Turn on the relay (connect B and C, disconnect A and B)
Press button 2: Turn off the relay (disconnect B and C, connect A and B)

Circuit analogue intérieur



A, B= Normalement Fermé; B, C= Normalement Ouvert.