

DC 12V Motor Remote Switch Controller 12V 24V Motor Forwards Reverse Up Down Wall Transmitter Manual Button Limit Switch

Package Include:

1 x Receiver: (with cover)

1 x Transmitter: (without battery)

Product Description

Features/ Application:

- High confidentiality, large storage , stable performance and dispensing with traditional jumpers or switches coding, just wireless remote control will be fired the receiving signal controller, make this controller receive and store the signal from remote control.
- Apply in many kinds of wireless devices – including hand-held and portable units, window/door transmitters and a variety of detectors and other devices.
- Commonly used to control those wireless products in family, office, hotel, hospital, shopping malls, warehouse etc.

1, Operating voltage	DC12V/24V
2, Operating frequency	315/ 433.92 MHz
3, Frequency deviation	±0.2MHz
4, Operating temperature	-40°C ~ +80°C
5, Receiving sensitivity	108dBm
6, Modulation	AM
7, Signal output method	L4:Latch-signal,M4:Momentary-signal,T4:Toggle-signal
8, Decoder chip	fixed code (PT2272/ PT2262/PT2264/SC2262),learning code(EV1527),
9, Size (L*W*H)	68*48*16.8mm
10, Transmitting Distance	10-100m

Learning method:

press the learning button 1 time ,the LED indicator flash then press the transmitter button A , until the LED indicator stop ,it mean button A learning successfully

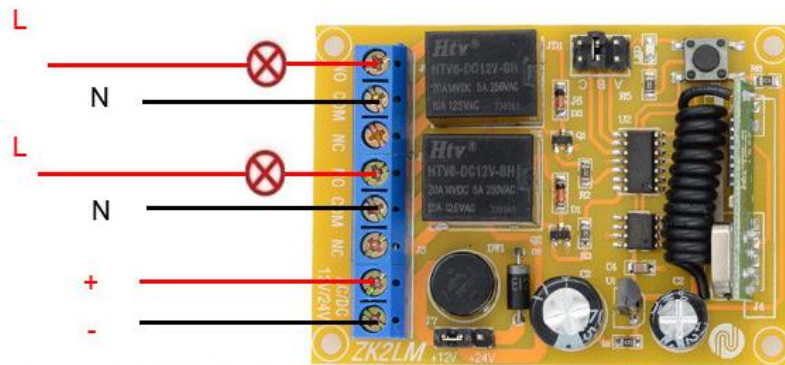
press the learning button 2 times ,the LED indicator flash then press the transmitter button B , until the LED indicator stop ,it mean button B learning successfully

press the learning button 3 times ,the LED indicator flash then press the transmitter button C, until the LED indicator stop ,it mean button C learning successfully

Remove Code:

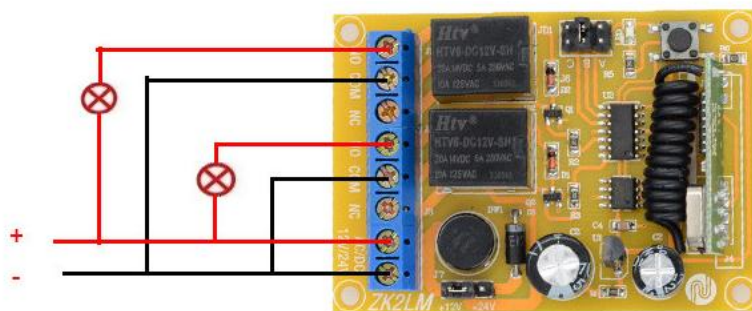
Keeping press the learning button 8 second , until the LED indicator stop , it mean remove code successfully

Control 220V Appliances wiring method



Input DC12/24V

Control DC12/24V Load Wiring Diagram



Input DC12/24V

