

DC3.7V 4.5V 5V 6V 7.4V 9V 12V RF remote control switch Relay 1CH Mini Wireless Control Switch
Wide Working Voltage

delivery:

1 X remote control
1 X Module

Item specifics

Frequency: 433 MHz
Channel: 1
Use: Universal
Power supply module: DC 3.7V to12V
Module consumption: Standby current -0.2mA Work current-30mA
Module load: 1A(Less than 10 watts)
Module size: 0.82inch*0.43inch*0.31inch
Control distance: 20 meters open environment
remote control size : 2.31inch*1.51inch*0.53inch
purpose: The module of the output port, The equivalent of inching switch
remote control button: 1 button
The customer diy: Suitable for the customer DIY

characteristic

- 1: 360degree, No dead Angle
- 2: Radio frequency, can through walls
- 3: Ultra low power, Suitable for battery
- 4: Super small size

Relay of remote control switch

Prompt : products output without power, Output port respectively are NO and Com switch on or disconnection

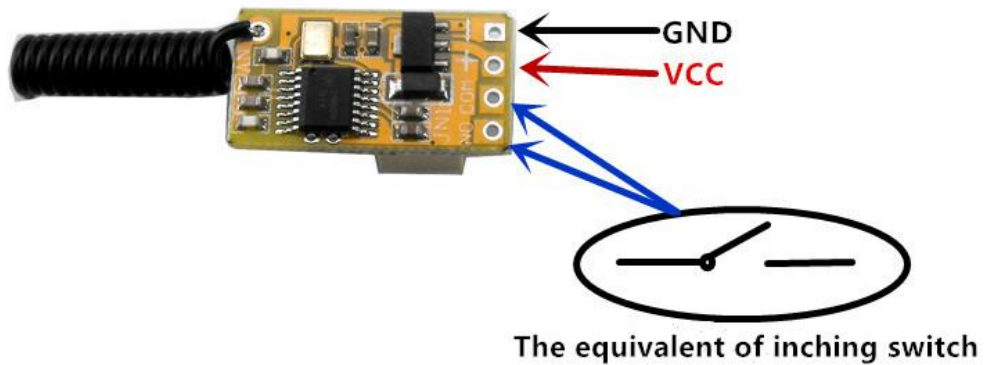
Product scope

The module of the output port, The equivalent of inching switch、 Point switch、 starting switch、 press switch、 Trigger switch

Product parameters

Power supply module: DC 3.7V to24V
Module consumption: Standby current 0.2mA、 Work current 30mA
Module load: 1A(Less than 10 watts)
Module size: 0.82inch*0.43inch*0.31inch
Remote control size: 2.31inch*1.51inch*0.53inch
Wireless Frequency: 433 mhz
Control distance: 20 meters open environment, can through walls

Product wiring instructions



Product attributes:

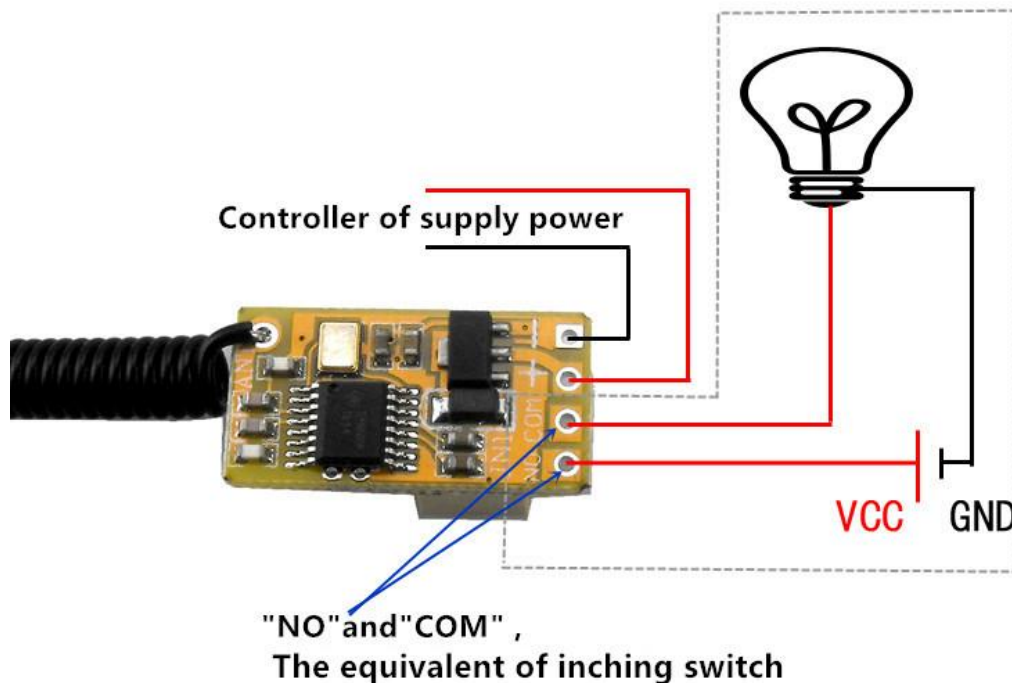
Correct access power supply products, The standby mode is default module, NO and COM is disconnected

press the remote control button, NO and COM are connected (Module LED flash once)

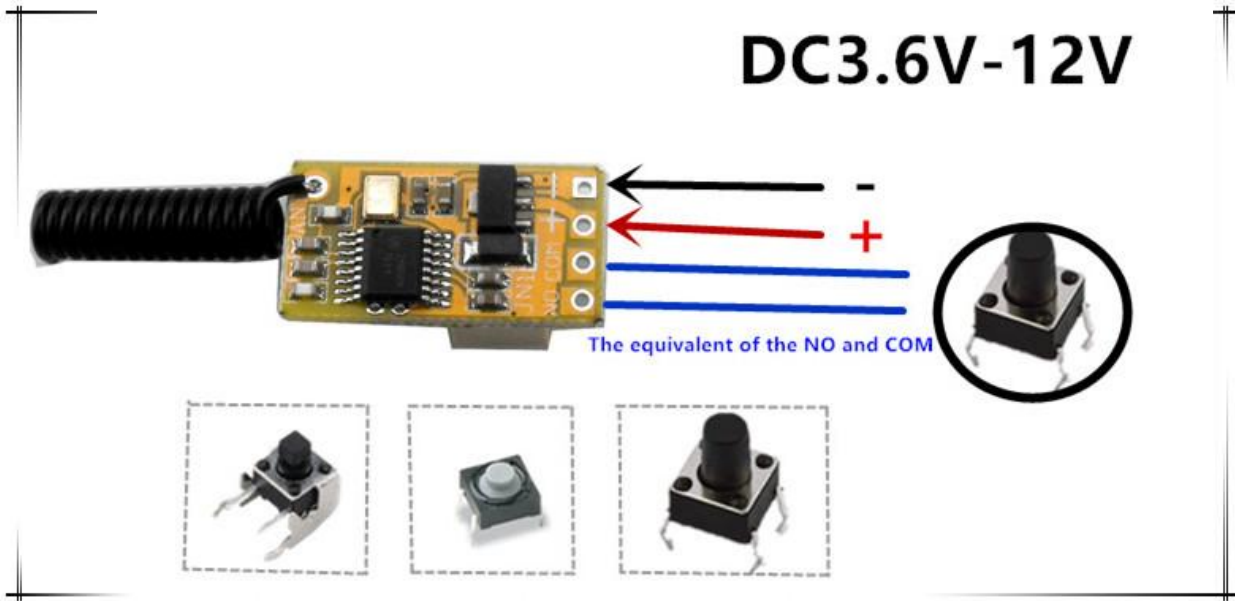
Loosen the remote control button, NO and COM is disconnected (Module LED flashes twice)

Without memory function of the module, if Power off or Remote closing, NO and COM is disconnected

Controller for 1 second delay reaction time



Inching switch sample figure



Direct load figure

