

1CH DC 3.7V 5V 6V 9V 12V Wide Working Voltage Remote control Switch Led Relay Mini Wireless learning Controller

delivery:

1 X remote control

1 X Module

Item specifics

Frequency: 433 MHz

Channel: 1

Use: Universal

Power supply module: DC 3.7V to12V

Module consumption: Standby current -0.2mA Work current-30mA

Module load: 1A(Less than 10 watts)

Module size: 0.9inch*0.43inch*0.31inch

Control distance: 20m

remote control size : 5.34inch*1.67inch*0.85inch

purpose: The module of the output port, The equivalent of inching switch

remote control button: 1 button

The customer diy: Suitable for the customer DIY

Relay of remote control switch

Prompt : products output without power, Output port respectively are NO and Com switch on or disconnection

Product scope

The module of the output port, The equivalent of inching switch、 Point switch、 starting switch、 press switch、 Trigger switch

Product parameters

Power supply module: DC 3.7V to12V

Module consumption: Standby current 0.2mA、 Work current 30mA

Module load: 1A(Less than 10 watts)

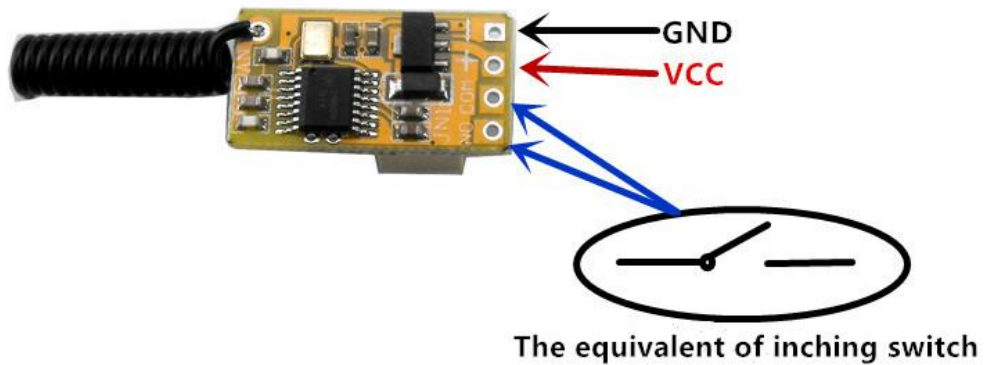
Module size: 0.9inch*0.43inch*0.31inch

Remote control size: 5.34inch*1.67inch*0.85inch

Wireless Frequency: 433 mhz

Control distance: Is greater than 200 meters open environment, can through walls

Product wiring instructions



Product attributes:

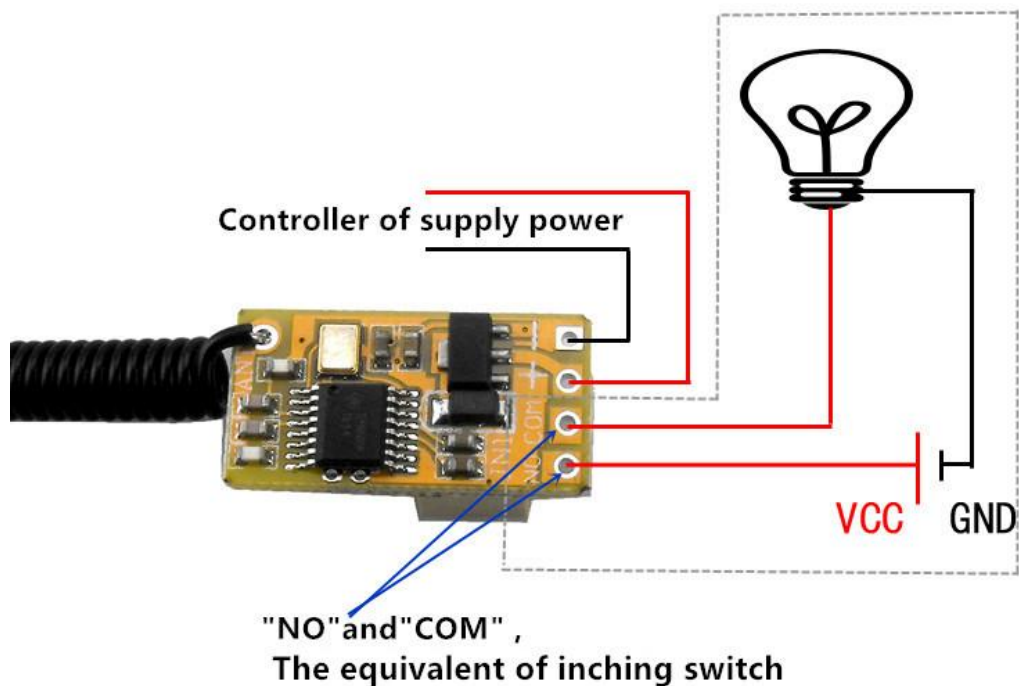
Correct access power supply products, The standby mode is default module, **NO and COM** is disconnected

press the remote control button, **NO and COM** are connected (Module LED flash once)

Loosen the remote control button, **NO and COM** is disconnected (Module LED flashes twice)

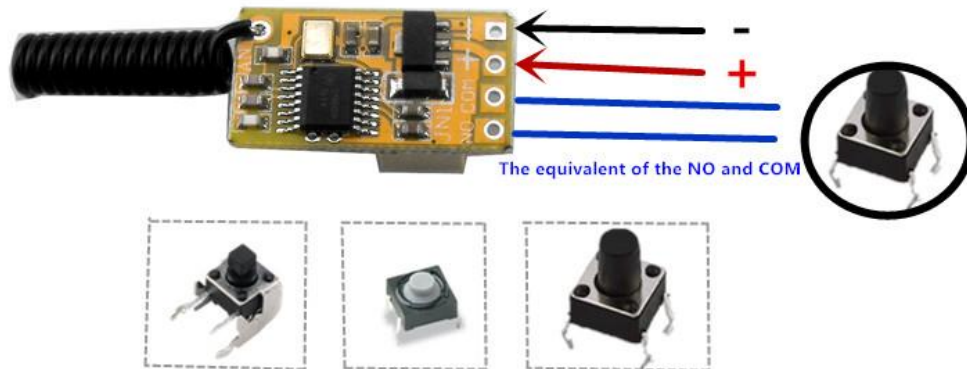
Without memory function of the module, if Power off or Remote closing, **NO and COM** is disconnected

Controller for 1 second delay reaction time



Inching switch sample figureController for 1 second delay reaction time

DC3.6V-12V



Direct load figure

