

## 90W DC brush motor speed large torque motor DC12V 24V motor 1800 rpm 3000 rpm

### Description:

Type: DC motor  
 Construction: permanent magnet  
 Commutation: Brush  
 Protection: fully enclosed  
 Operating Voltage: DC12V / 24V  
 Output power: 90W  
 Speed: 1800rpm / 3000 rpm  
 Weight: 2.35kg  
 Life of brush: 3000 hours  
 Certification: CCC, CE

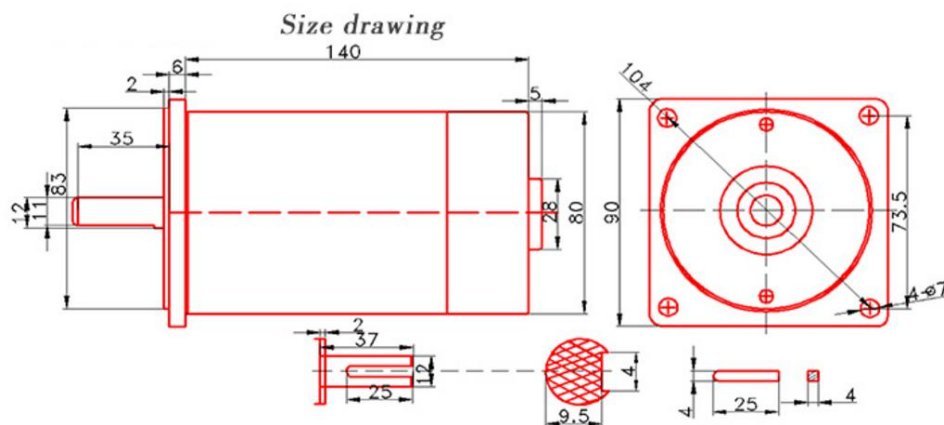
### Characteristic:

longevity  
 Low noise  
 stable  
 High torque  
 High speed  
 Speed regulation

### Advantage

Unique design of the convex bottom cover, more stable bearing load of the rotor, reduce noise to a minimum.  
 Strong magnetic field: two magnets from the fuselage will bring strong magnetic field, high torque, long life  
 Rotor part adopts pure copper wire, 100% pure copper quality, high temperature resistant, life extension 5 times!  
 Unique design cover design, in harmony with the bottom cover fixed ball bearing, the rotor running more stable!  
 Motor adopts two-way magnet, configuration of governor can speed regulation, can be positive and negative turn!  
 1800 revolutions per minute (circle), 90w current 6.5a, high speed, high efficiency!

voltage	power	No load parameters		load parameters		
		speed	current	speed	Torque(kg.cm)	Current(A)
12V	90W	1800	1.80	1650	4.50	10.00
12V	90W	3000	2.10	2600	5.50	12.00
24V	90W	1800	0.75	1680	5.80	4.20
24V	90W	3000	1.00	2800	6.00	5.00



Unique design of convex type bottom cover more stable bearing load of the rotor, make noise to a minimum.

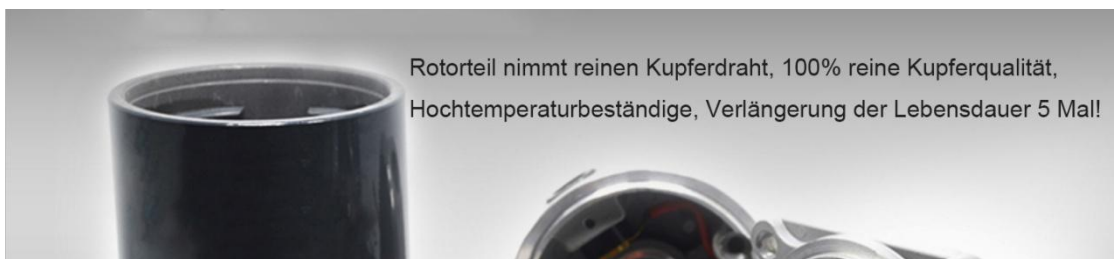
Einzigartiges Design der konvexen Bodenabdeckung, Stabilere Lagerbelastung des Rotors, Lärm auf ein Minimum reduzieren.



2

## starkes Magnetfeld

zwei Magneten von dem Rumpf  
wird starkes Magnetfeld bringen,  
Hoch Drehmoment, lange Lebensdauer



Rotorteil nimmt reinen Kupferdraht, 100% reine Kupferqualität,  
Hochtemperaturbeständige, Verlängerung der Lebensdauer 5 Mal!



Einzigartiger Deckel-Design, der im Einklang mit der Buntere Abdeckung fest Kugellager lassen kann, der Rotor läuft stabiler!