

## High Speed Motor 12000rpm 12V-24V Brushless 12V DC Motor With Signal Output Ball Bearing 12V

### Item specifics

Certification:ROHS,CE,CCC, UL

Commutation:Brushless

Output Power:-

Usage: Boat,Car,Electric Bicycle,Fan,Home Appliance

Voltage(V):12V-24V

Construction:Permanent Magnet

Speed(RPM):12000rpm

Efficiency:IE 2

Protect Feature:Totally Enclosed

Torque:-

Continuous Current(A):-

Type:High Speed Motor

### Product Description

24V 12000rpm

Shaft length: 15mm

Diameter: 2.0mm

### Wiring:

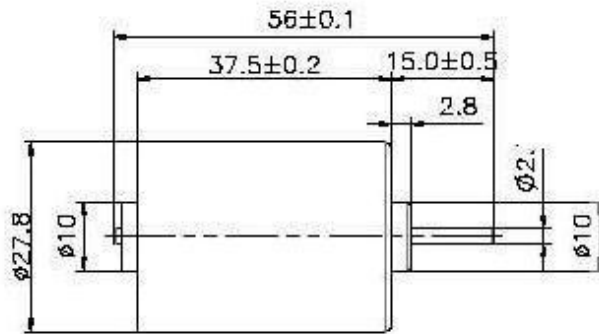
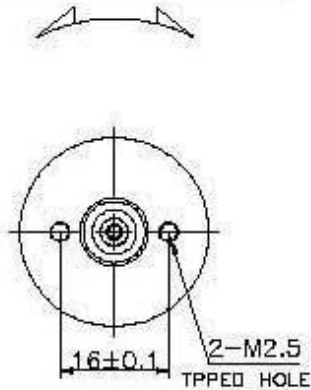
**Red** connect to positive power supply

**Black** line and **blue** line connected to negative, then the motor reversal,

When the **yellow**, black wires and the **blue** line together with connected to negative power supply, the motor is corotation

**Warning:** The **green** line is signal Speed output line, non-random connect to( connected to burn)

DIRECTION OF ROTATION



WEIGHT: 65g(APPROX)

UNIT:MILLIMETERS

