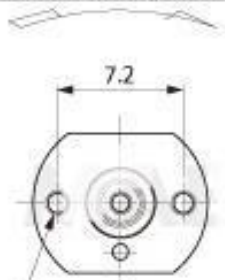
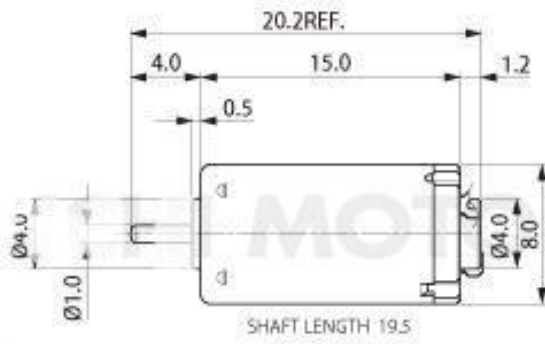


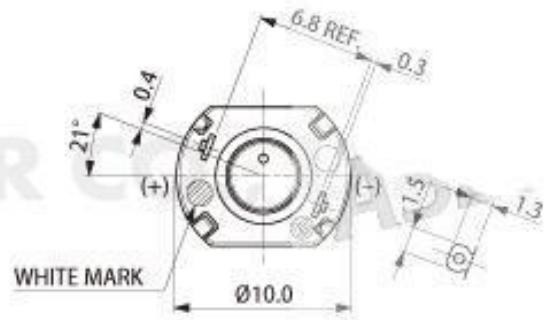
DIRECTION OF ROTATION



ISO M1.4×0.3 TAPPED HOLE
2 PLACES



SHAFT LENGTH 19.5



WHITE MARK