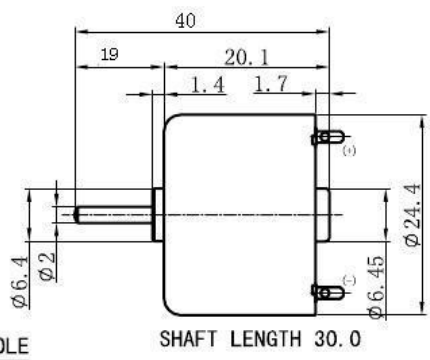


able male screw length 1.5max. from  
tor mounting surface



**WEIGHT: 29.0g (APPROX)**

