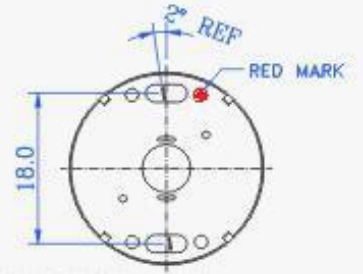
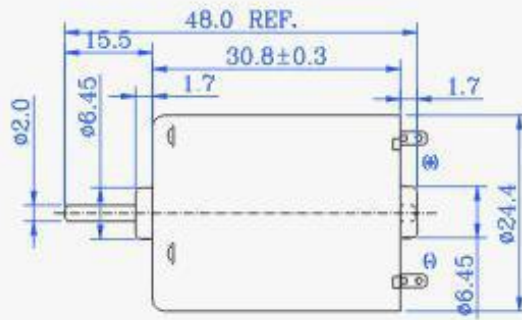
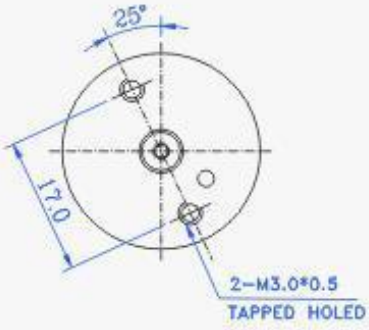


ROTATION



Unit in mm