

Mirco Turbine worm shaft decelerate DC Motor motor 24V / 12V speed 17-340rpm

Product Description

Worm gearbox / geared motor is made up of two parts of gearbox and motor

High accuracy worm gear and worm shaft

Easy assembly and networking, high efficiency

High quality, high performance worm gear

High torque can achieve industrial requirement.

Self-locking Function: With self-locking function, when the power is turned off, the motor will not run.

Transmission output shaft and the motor shaft are arranged vertically, and therefore, it is widely used in various occasions requiring a particular installation size.

Application: windows and doors opening, pressing, mini-winch, conveyor technology, packaging technology, lifting equipment as well as other occasions.

This motor Output power through Bore, need addition shaft, we have shaft suitable on sale, Bore Diameter is looks like the drawing.

Technical specifications

Efficiency class: IE2

Type: geared motor

Commutation:Brush

Output power: 250W

Import protection: drip proof / IP50

Working voltage: DC24V / 12V

Rated current: 15A at voltage 24V; 30A at voltage 12V

Speed: 17 21 28 34 42 56 84 112 170 227 340 Rpm

Loading Speed:13 16 21 26 31 42 63 85 126 168 252 RPM

Dimension: 360x114x167mm/ 14.17x4.49x6.57inch

Shaft Bore Diameter:25 mm

Body Material:Steel

Net Weight:8.5 Kg

Box Material:Zinc alloy, zincification

Loadind speed:>2000 hours

Worm Wheel Materials:Metal

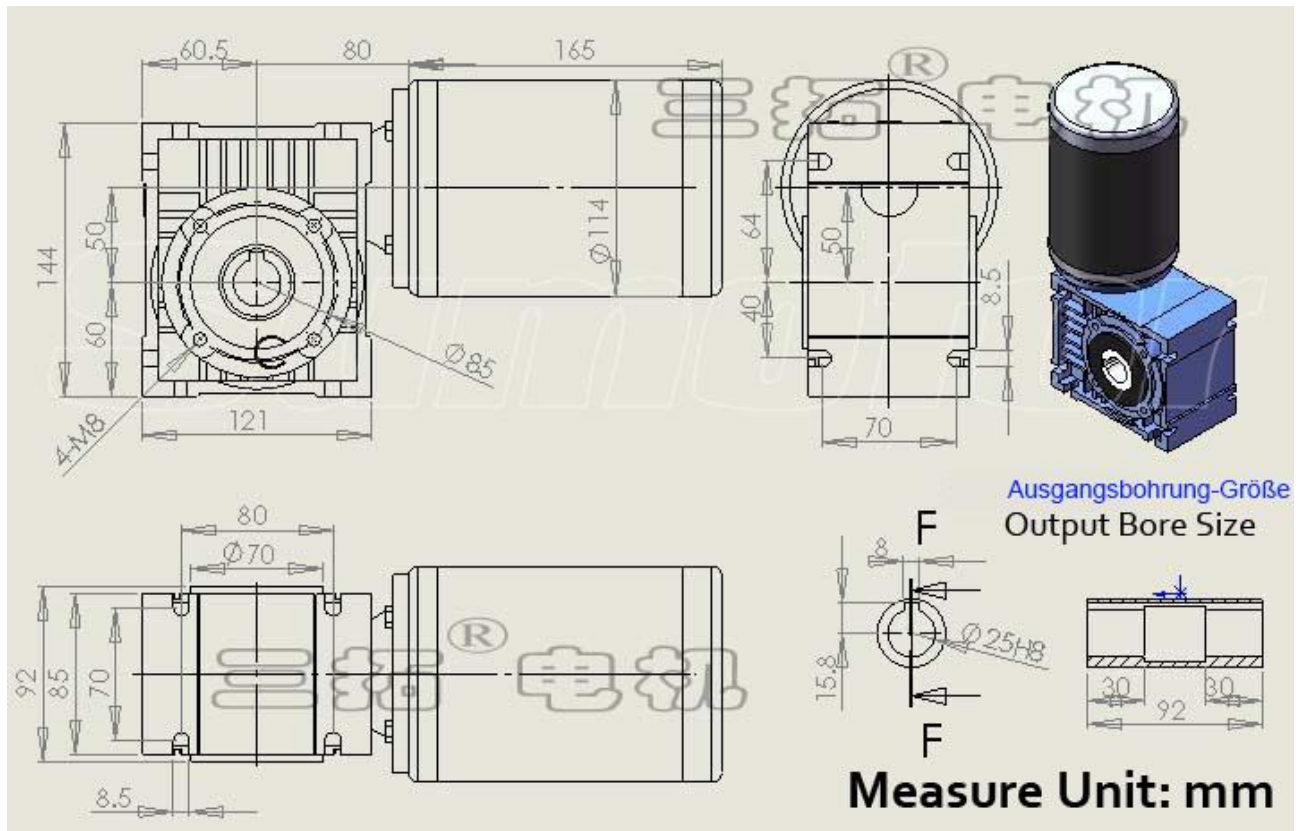
Worm Materials:Cu(Cuprum)

Typ:

DC12V DC 24V Worm Gear Motor

Model(Reduction Ratio)	Voltage (V)	No Load Speed (r/min)	Loading Speed (r/min)	Rated Torque (N cm)	Rated Current (A)	Rated Power (W)	Dimension (exclude shaft)	Shaft	Net Weight	
1:100	DC 24V Or DC12V	17	13	8000	15.00 Or 30.00	250	360x114x167mm 14.17x4.49x6.57inch	Double /Single	Φ25 output bore	8.5kg
1:80		21	16	7000						
1:60		28	21	6000						
1:50		34	26	5000						
1:40		42	31	4000						
1:30		56	42	3600						
1:20		84	63	2600						
1:15		112	85	2000						
1:10		170	126	1400						
1:7.5		227	168	1050						
1:5		340	252	750						

Size:



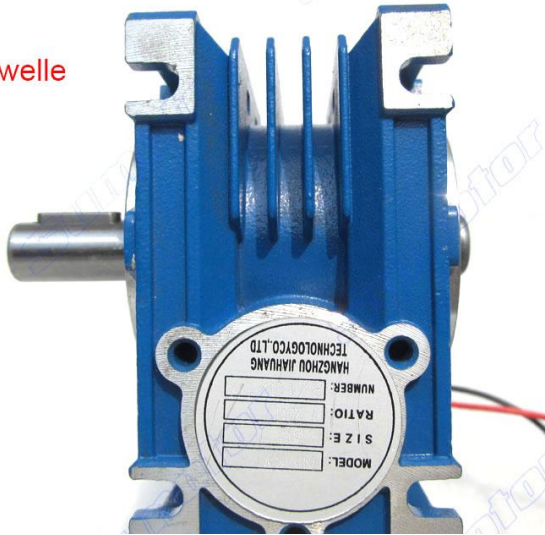
SHENZHEN Lejing INDUSTRY DEVELOPMENT CO.LTD

<http://www.einausschalten.com/> E-Mail: sale@einausschalten.com Whatsapp: +86 183 2644 0199

Attention: You can order the shaft from us. In addition, you can also choose the one or double output wave according to your requirements, the images are as follows:

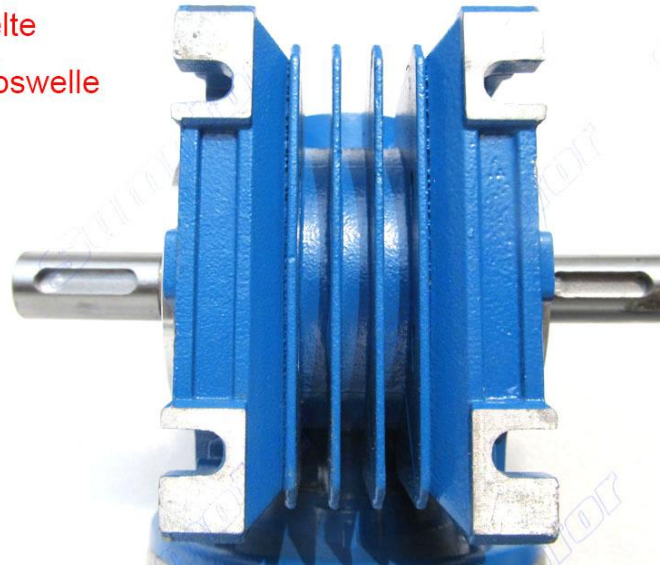
Single output shaft

Einziges
Abtriebswelle



Double output shaft

Doppelte
Abtriebswelle



usage picture

