

**AC 220V 240V 25W Automatic Linear motion Reciprocating motor Speed variable for Spraying paint machine Pellet Particle Incense**

Item specifics

Certification:CE,CCC

Commutation:Brush

Continuous Current(A):0.3A

Efficiency:IE 3

Construction:Permanent Magnet

Torque:reference to list

Protect Feature:Drip-proof

Voltage(V):220V AC (208-230/240V) Single-phase

Output Power:25W

Model Number:CR-25W

Type:AC induction motor

Usage:Industry, Machine, DIY Design, Experiment,

Stroke (mm):200, 300, 400mm (Please specify the stroke, we also accept customize)

Force (Kg):reference to list

Speed adjustable (variable) ?:"Yes (Need a DC PWM controller)"

Dimension (mm):reference to list

Net Weight:reference to list

Place of Original :Guangdong, China(Mainland)

Usage 1:Shale shaker, Vibrating screen, Vibration screen, Incense machine

Usage 2:Squirt machine, Spraying Machine, Pellet machine, Particle-making

Useage 3:Industry, Machine, DIY Design, Experiment

Widely use for:

Shale shaker, Vibrating screen, Incense machine

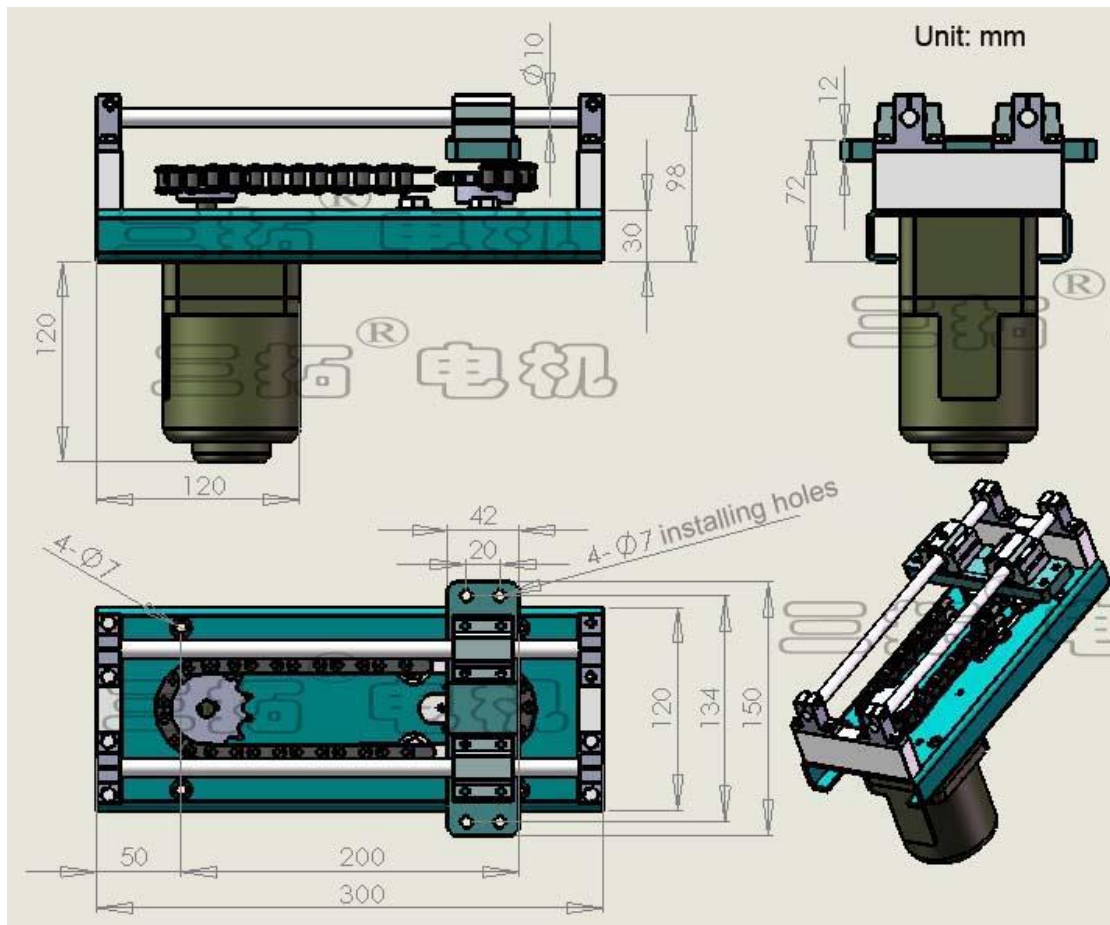
Squirt machine, Spraying Machine, Pellet machine, Particle-making

Experiment, Lifespan lab testing

Datasheet of the product

AC Chain type Reciprocating motor								
Voltage (V)	Rated Power (W)	Current (A)	Stroke (mm)	Motor's Speed (r/min)	Line Speed (mm/s)	Force (Kg)	Dimensions (mm)	Net Weight (Kg)
220V AC	25	0.3	200	27	74	12	300x150x220	6
				45	123	7.5		
				67	184	5		
			300	27	74	12	400x150x220	8.5
				45	123	7.5		
				67	184	5		
			400	27	74	12	500x150x220	9
				45	123	7.5		
				67	184	5		

**Drawing**



Characteristic -- please must read following sentences before purchase

- This Chain reciprocating motor is an automatic constantly reciprocating linear motion motor, which speed is Variable.
  - This machine's speed is uniform except for both ends.
  - This machine is non-standard and manual made product, the surface is rough. If require surface precise please don't bid.
  - The speed faster, the noise louder. If require quietly, please be careful before bid.
  - Linear motion part is consist of sliding linear ball bearing and steel axle. Axle need adds lubricating oil at regular intervals, in order to limited axle temperature less than 90 degrees, and oil wetness.
  - Due to rotating lump is affected by gravity, the machine go and back speed is different.
- In the delivery there are speed controllers, speed range from 50% to 100%, If you adjust the speed, force / force can not increase. And power will be reduced pro rata, so we recommend the right speed when shopping.