

AC 220V 120W Automatic Swinging machine Reciprocating motor Variable for Spraying Life testing Craft phone exhibition DIY engine

Item specifics

Certification:CCC,CE

AC Voltage:208-230 / 240 V

Output Power:120 W

Efficiency:IE 3

Type:Induction Motor

Frequency:50HZ/60HZ

Protect Feature:Drip-proof

Phase:Single-phase

Revolve Angle (degree) :33, 60, 90

"Force at Rod's Top (Kg)":16.5 6.75 4.5 3 2.3 1.5 1

Speed adjustable (variable) ?:"Yes (Need a AC US/UX controller)"

Speed (n/min):9 22 33 67 90 135 180

Net Weight:7.7 KG

Dimension (mm):210x270x160

Usage 1:Shale shaker, Vibrating screen, Vibration screen, Incense machine

Usage 2:Squirt machine, Spraying Machine, Pellet machine, Particle-making

Useage 3:Industry, Machine, DIY Design, Experiment

AC 220V 120W Automatic Swinging machine Reciprocating motor Variable for Spraying Life testing Craft phone exhibition DIY engine

This item is out of stock, customized need 1-3 days, thanks for your comprehend!

Notice: Please consider carefully before order. Because this is customized motor, we should process this motor, if you cancel order or change model, you should compensate our loss.

Package including:

1x Swinging machine (AC 220V 120W).

1x US5120 120W AC speed controller. (If you don't need speed controller, contact us to minus price)

Specifications of the product

Please specify the Speed and Angle you need when you making an order.

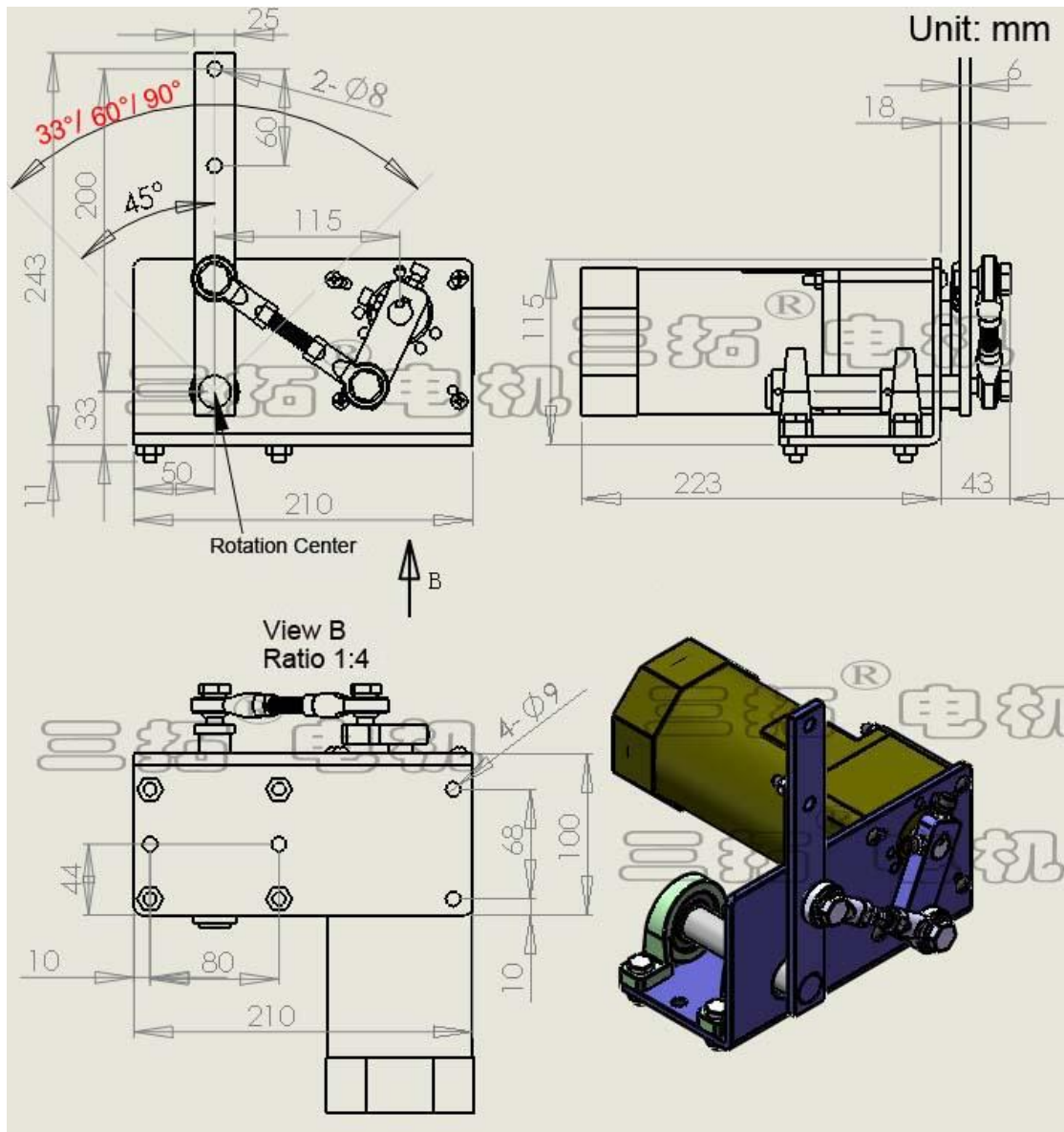
Speed: 9 n/min, 22 n/min, 33 n/min, 67 n/min, 90 n/min, 135 n/min, 180 n/min. (This is the maximum speed, you can controller speed from 0 RPM to maximum speed.)

Angle: 33 degrees, 60 degrees, 90 degrees.

(Please don't forget to leave a message to tell us which Angle is needed) , or we will ship 33 degrees angle by default.

Swinging Machine _ go and back mechanism									
Voltage (V)	Rated Power (W)	Speed (n/min)	Revolve Angle (degree)	Force at Rod's Top (Kg)	Rated Current (A)	Dimension without Rod (mm)	Length of Rod (mm)	Net Weight (Kg)	Speed adjustable?
AC 220V	120 Watts	9	33, 60, 90	16.5	1.4	210x270x160	210	7.7	Yes (Need a AC US/UX controller)
		22		6.75					
		33		4.5					
		67		3					
		90		2.3					
		135		1.5					
		180		1					

Drawing and Cartoon



Characteristic -- please must read following sentences before purchase

- This Linkage Mechanism is an automatic constantly reciprocating linear actuator motor, which frequency is variable.
- This machine output in a rod, the speed of rod is Non-uniform. If require speed uniform please don't bid.
- This machine is Non-standard manual made production, the surface is rough. If require surface precise please don't bid.
- The speed faster, the noise louder. If require quietly, please be careful before bid.
- Due to rotating lump is affected by gravity, the machine go and back speed is different.

Swinging Machine _ go and back mechanism

Voltage (V)	Rated Power (W)	Speed (n/min)		Revolutions Angle (degree)	Force at Rod's Top (Kg)	Rated Current (A)	Dimension without Rod (mm)	Length of Rod (mm)	Net Weight (Kg)	Speed adjustable?
		No load	Loading							
DC 12V	1 Watt	0.6	0.45	30, 60, 94	1.8	0.15	100x50x55	77	0.35	Yes (Need buy a DC PWM controller)
		2	1.5		1.1					
		5	3.8		0.8					
		8	6		0.5					
		13	10		0.35					
		24	18		0.3					
		45	34		0.15					
		80	60		0.03					
DC 24V	15 Watts	10	8	35, 60, 90	1.6	2	150x120x180	150	2.6	Yes (Need buy a DC PWM controller)
		28	22		1					
		60	48		0.5					
		115	90		0.4					
AC 220V	10 Watts	5		35, 60, 90	0.6	0.13	150x120x100	150	2.5	No
		11			0.5					
		15			0.45					
		24			0.2					
		47			0.1					
AC 220V	25 Watts	9		33, 60, 90	1.2	0.3	210x200x160	210	5.2	Yes (Need a AC US/UX controller)
		22			1					
		33			0.8					
		67			0.6					
		90			0.5					
		135			0.3					
AC 220V	60 Watts	9		33, 60, 90	4.5	0.7	210x250x160	210	6.9	Yes (Need a AC US/UX controller)
		22			4					
		33			3					
		67			1.6					
		90			1.1					
		135			0.6					
AC 220V	120 Watts	9		33, 60, 90	16.5	1.4	210x270x160	210	7.7	Yes (Need a AC US/UX controller)
		22			6.75					
		33			4.5					
		67			3					
		90			2.3					
		135			1.5					
		180			1					