

**AC 220V 10W Automatic Swinging DIY engine Reciprocating motor Variable for Spraying Machine Lab testing
Craft phone exhibition**

Item specifics

Certification:CCC,CE
 AC Voltage:208-230 / 240 V
 Type:Synchronous Motor
 Efficiency:IE 3
 Frequency:50HZ/60HZ
 Output Power:10 Watts
 Protect Feature:Drip-proof
 Phase:Single-phase
 Revolve Angle (degree) :35, 60, 90
 "Force at Rod's Top (Kg)":0.6 0.5
 Speed adjustable (variable)?:No
 Speed (n/min):5 / 11
 Net Weight:2.5 KG
 Dimension (mm):150x120x100
 Usage 1:Shale shaker, Vibrating screen, Vibration screen, Incense machine
 Usage 2:Squirt machine, Spraying Machine, Pellet machine, Particle-making
 Useage 3:Industry, Machine, DIY Design, Experiment

This item is out of stock, customized need 1-3 days, thanks for your comprehend!

Notice: Please consider carefully before order. Because this is customized motor, we should process this motor, if you cancel order or change model, you should compensate our loss.

Specifications of the product

Please specify the Speed and Angle you need when you making an order.

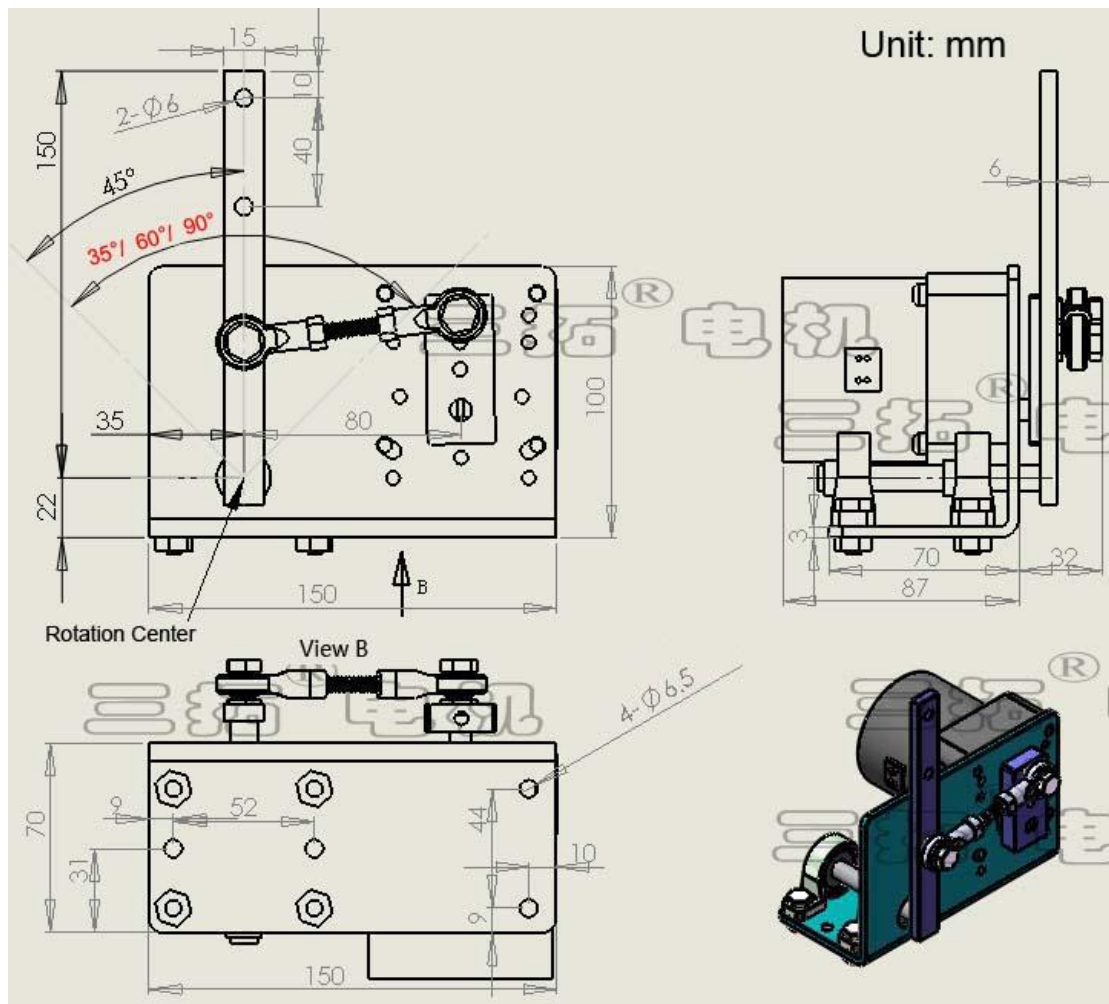
Speed: 5 n/min, 11 n/min

Angle: 35 degrees, 60 degrees, 90 degrees.

(Please don't forget to leave a message to tell us which Angle is needed) , or we will ship 35 degrees angle by default.

Swinging Machine _ go and back mechanism										
Model	Voltage (V)	Rated Power (W)	Speed (n/min)	Revolve Angle (degree)	Force at Rod's Top (Kg)	Rated Current (A)	Dimension without Rod (mm)	Length of Rod (mm)	Net Weight (Kg)	Speed adjustable?
YB-70K	AC 220V	10 Watts	5	35, 60, 90	0.6	0.13	150x120x100	150	2.5	No
			11		0.5					

Drawing and Cartoon



Characteristic -- please must read following sentences before purchase

- This Linkage Mechanism is an automatic constantly reciprocating linear actuator motor.
- This machine output in a rod, the speed of rod is Non-uniform. If require speed uniform please don't bid.
- This machine is Non-standard manual made production, the surface is rough. If require surface precise please don't bid.
- The speed faster, the noise louder. If require quietly, please be careful before bid.

other

Swinging Machine _ go and back mechanism										
Voltage (V)	Rated Power (W)	Speed (n/min)		Revolutions Angle (degree)	Force at Rod's Top (Kg)	Rated Current (A)	Dimension without Rod (mm)	Length of Rod (mm)	Net Weight (Kg)	Speed adjustable?
		No load	Loading							
DC 12V	1 Watt	0.6	0.45	30, 60, 94	1.8	0.15	100x50x55	77	0.35	Yes (Need buy a DC PWM controller)
		2	1.5		1.1					
		5	3.8		0.8	0.3				
		8	6		0.5					
		13	10		0.35					
		24	18		0.3					
		45	34		0.15					
80	60	0.03								
DC 24V	15 Watts	10	8	35, 60, 90	1.6	2	150x120x180	150	2.6	Yes (Need buy a DC PWM controller)
		28	22		1					
		60	48		0.5					
		115	90		0.4					
AC 220V	10 Watts	5		35, 60, 90	0.6	0.13	150x120x100	150	2.5	No
		11			0.5					
		15			0.45					
		24			0.2					
		47			0.1					
AC 220V	25 Watts	9		33, 60, 90	1.2	0.3	210x200x160	210	5.2	Yes (Need a AC US/UX controller)
		22			1					
		33			0.8					
		67			0.6					
		90			0.5					
		135			0.3					
AC 220V	60 Watts	9		33, 60, 90	4.5	0.7	210x250x160	210	6.9	Yes (Need a AC US/UX controller)
		22			4					
		33			3					
		67			1.6					
		90			1.1					
		135			0.6					
AC 220V	120 Watts	9		33, 60, 90	16.5	1.4	210x270x160	210	7.7	Yes (Need a AC US/UX controller)
		22			6.75					
		33			4.5					
		67			3					
		90			2.3					
		135			1.5					
		180			1					