

**DC 12V Automatic Small Swinging Machine go and back mechanism Reciprocating Motor Variable for DIY Spraying Machine Lab testing Craft phone exhibition**

**Package**

1 x Motor

Item specifics

Certification:CE,CCC

Commutation:Brush

Voltage(V):12V

Efficiency:IE 3

Construction:Permanent Magnet

Torque:reference to list

Protect Feature:Drip-proof

Output Power:1 watt

Continuous Current(A):0.15A 0.3A

Type:reciprocating motor

Usage:Industry, Machine, DIY Design, Experiment,

Revolve Angle (degree) :30, 60, 94

"Force at Rod's Top (Kg)":1.8 1.1 0.8 0.5 0.35 0.3 0.15 0.03

Speed adjustable (variable) ?:"Yes (Need a DC PWM controller)"

No load speed (n/min):0.6 2 5 8 13 24 45 80

Net Weight:0.35 KG

Dimension (mm):100x50x55

Usage 1:Shale shaker, Vibrating screen, Vibration screen, Incense machine

Usage 2:Squirt machine, Spraying Machine, Pellet machine, Particle-making

Usage 3:Industry, Machine, DIY Design, Experiment

DC 12V Automatic Small Swinging Machine Reciprocating Motor Variable speed adjustable for DIY Lab testing Craft phone exhibition

Widely use for:

Shale shaker, Vibrating screen, Incense machine

Squirt machine, Spraying Machine, Pellet machine, Particle-making

Experiment, Lifespan lab testing

Specifications of the product

Please specify the Speed and Angle you need when you making order.

Rated voltage: DC 12V,

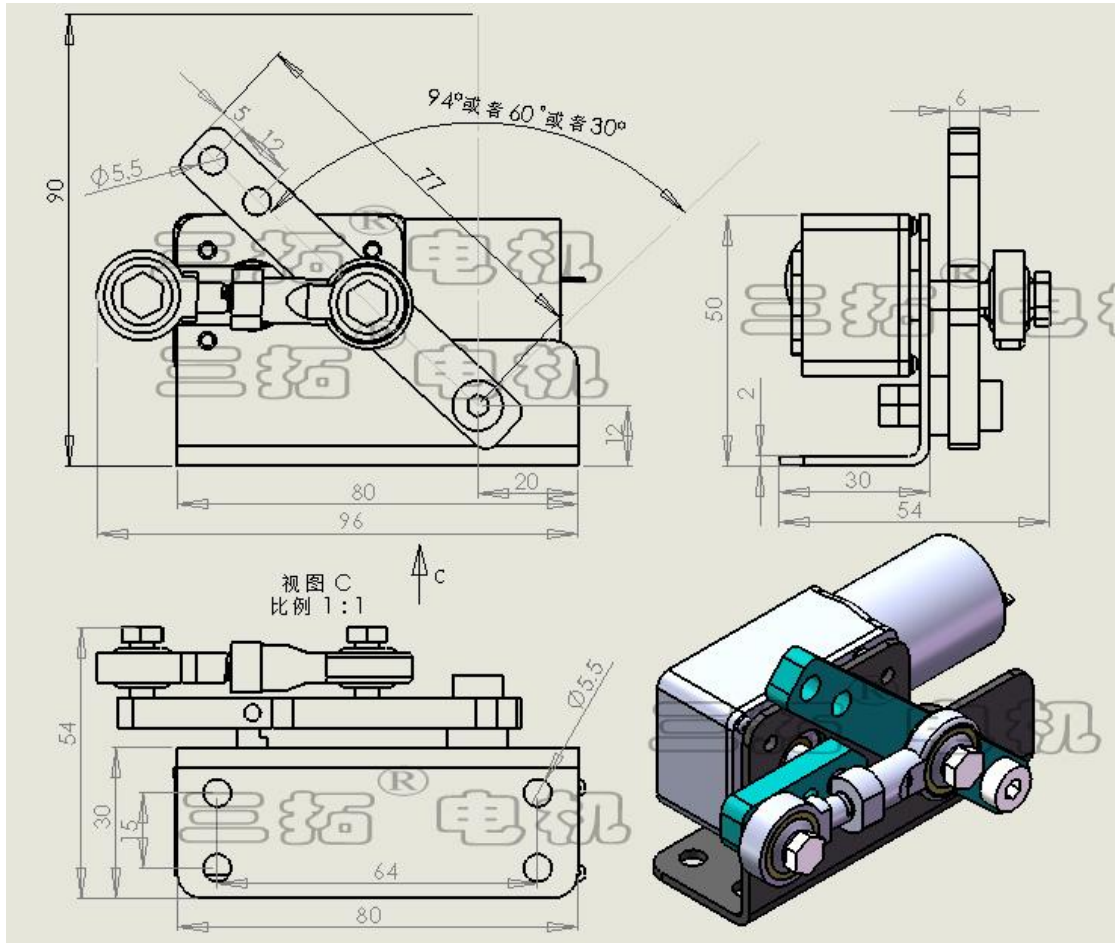
No load Speed: 0.6 n/min, 2 n/min, 5 n/min, 8 n/min, 13 n/min, 24 n/min, 45 n/min, 80 n/min. (This is the maximum speed, you can controller speed from 0 RPM to maximum speed.)

Angle: 30 degrees, 60 degrees, 94 degrees.

(Please don't forget to leave a message to tell us which stroke is needed) , or we will ship 30mm stroke by default.

## Swinging Machine \_ go and back mechanism

Model	Voltage (V)	Rated Power (W)	Speed (n/min)		Revolve Angle (degree)	Force at Rod's Top (Kg)	Rated Current (A)	Dimension without Rod (mm)	Length of Rod (mm)	Net Weight (Kg)	Speed adjustable?
			No load	Loading							
YB-370	DC 12V	1 Watt	0.6	0.45	30, 60, 94	1.8	0.15	100x50x55	77	0.35	Yes (Need buy a DC PWM controller)
			2	1.5		1.1					
			5	3.8		0.8					
			8	6		0.5					
			13	10		0.35	0.3				
			24	18		0.3					
			45	34		0.15					
			80	60		0.03					



Characteristic -- please must read following sentences before purchase

- This Linkage Mechanism is an automatic constantly reciprocating linear actuator motor, which frequency is variable.
- This machine output in an rod, the run speed on rod is Non-uniform. If require speed uniform please don't bid.
- This machine is Non-standard manual made production, the surface is rough. If require surface precise please don't bid.
- The speed faster, the noise louder. If require quietly, please be careful before bid.
- Due to rotating lump is affected by gravity, the machine go and back speed is different.
- If you want to control speed, you can add a PWM DC motor speed controller for this.

