

Product Name: 1-10kHz Duty Cycle & Frequency Adjustable PWM Square Wave Pulse Generator Module replace NE555 LM358 CD4017 DDS AD9850 AD9851

Package included:  
1 x 1Hz-10Khz Duty Cycle & Frequency Adjustable signal generator

Description:  
 VCC : DC 5V(3.8-5.5V) Power supply positive  
 GND : Power Supply Negative  
 PWM+ : 1Hz-10kHz(Accuracy:0.6%) Square wave output(5V TTL Level,maximum output current 20MA).  
 PCB size : 19.4\*12\*6.7mm  
 Weight : 1.5g  
 power-down storage parameters

Frequency and Duty Cycle continuously adjustable, Stepping: See the image below

### Frequency adjustment.

Frequency Range <sup>o</sup>	Frequency Stepped <sup>o</sup>	Control button <sup>o</sup>
1kHz-10kHz <sup>o</sup>	10Hz <sup>o</sup>	<b>F+   F-</b>
100Hz-1kHz <sup>o</sup>	1Hz <sup>o</sup>	
10Hz-100Hz <sup>o</sup>	0.1Hz <sup>o</sup>	
1Hz-10Hz <sup>o</sup>	0.01Hz <sup>o</sup>	

### Duty Cycle adjustment

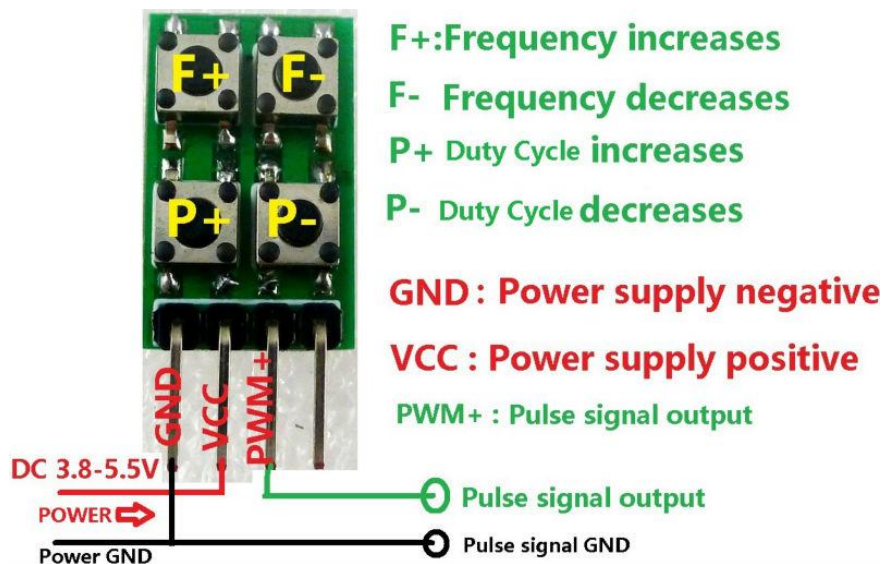
Frequency Range <sup>o</sup>	Duty Cycle	Duty Cycle Stepped	Control button <sup>o</sup>
7kHz-10kHz <sup>o</sup>	25-75% <sup>o</sup>	1% <sup>o</sup>	<b>P+   P-</b>
1Hz-7kHz <sup>o</sup>	10-90% <sup>o</sup>		

USE:

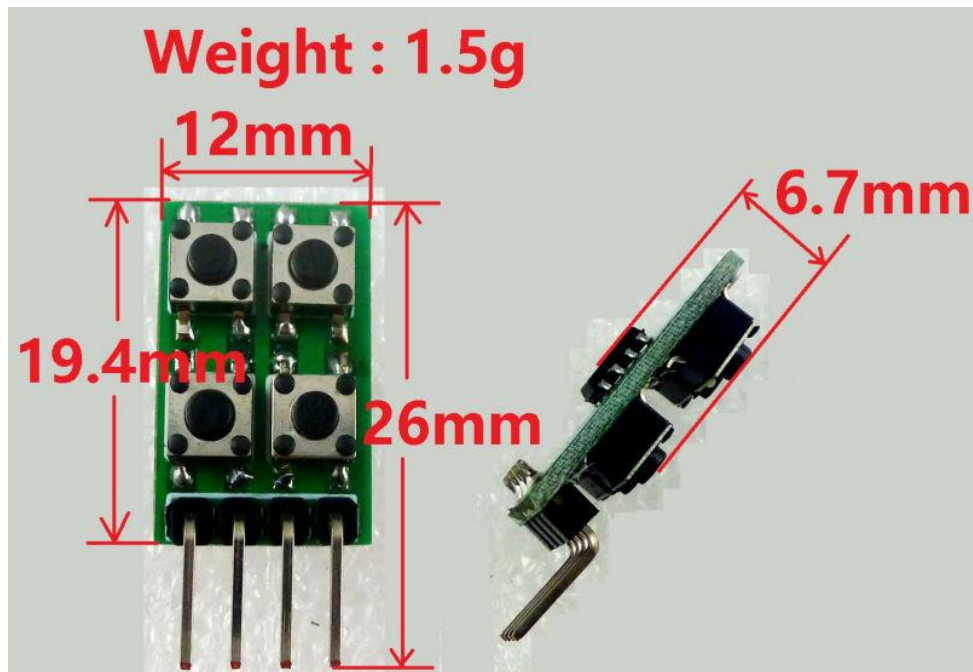
Short press (less than 2S) : Fine adjustment

Long press (more than 2S) : Quick adjustment

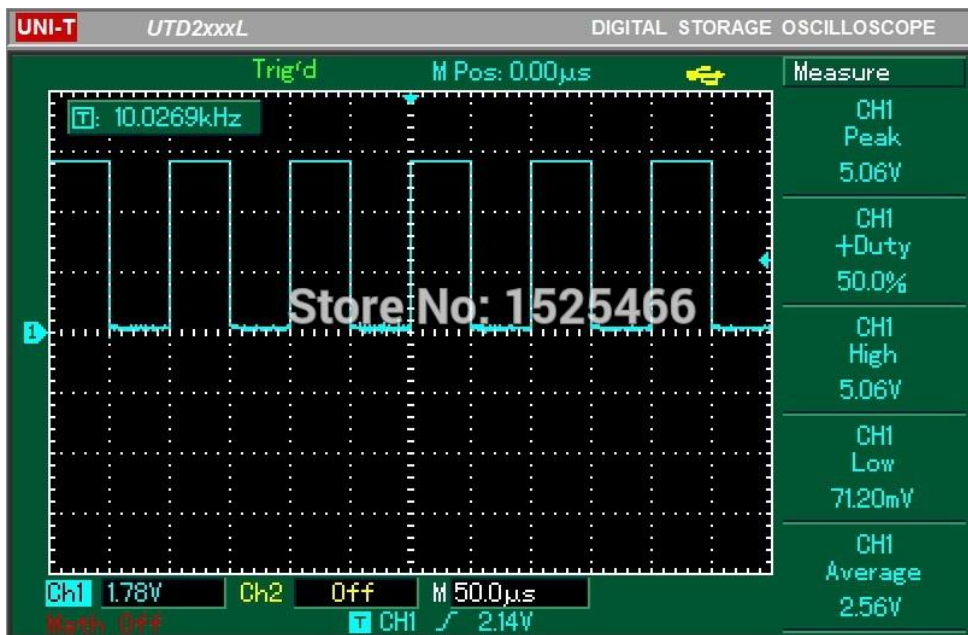
Wiring Diagram:



Size & Weight:



10kHz Waveform:



500Hz Waveform:

