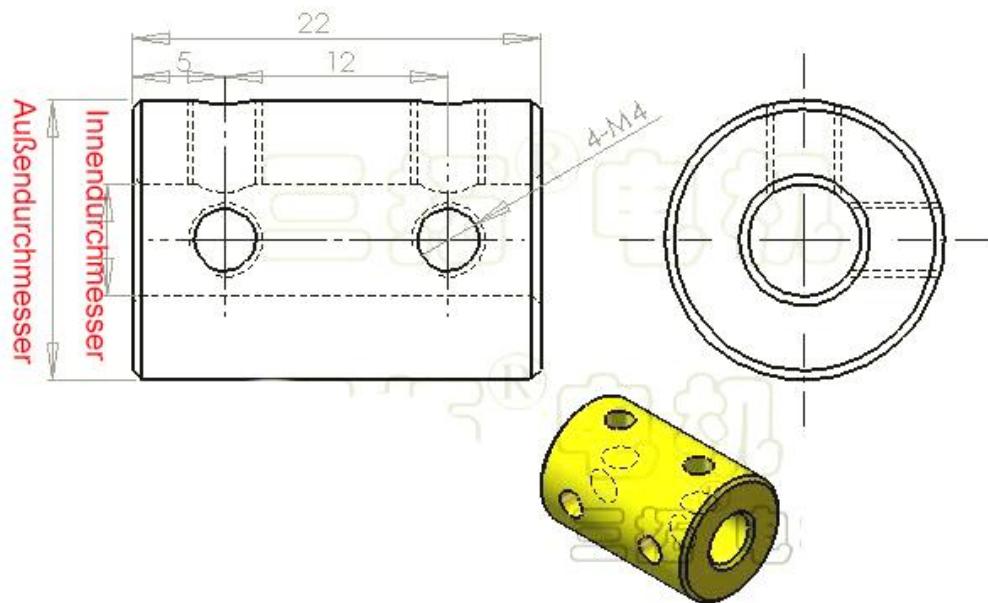
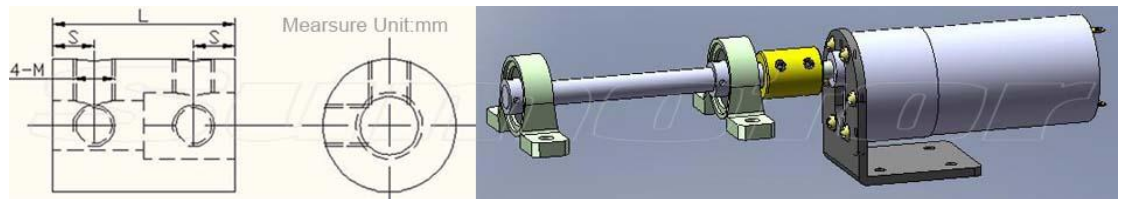


Brass Rigid coupling for Motor shaft OD14mm 16mm L22mm with Tighten screws Inner bore diameter 4mm 6mm 7mm 8mm 6*8mm 7x8mm

Item specifics
 Flexible or Rigid:Rigid
 Model Number:TT
 Standard or Nonstandard:Standard
 Material:Brass
 Structure:Tighten rigid
 Outside Diameter :14mm /16 mm
 Length :22 mm
 Tighten screws:M4
 Screws number:4
 Bore Diameter: 4mm , 6mm, 7mm, 8mm, 6mm to 8mm, 7mm to 8mm

Tighten Rigid Brass Coupling Specification								
Model	Outside Diameter (mm)	L (mm)	S (mm)	Bore Diameter (mm)		Hex. Socket Screws	Material	Net Weight (g)
				Left	Right			
TT-14	Φ14	22	5	Φ4		4 x M4	Brass	25
TT-16	Φ16			Φ6				31.5
				Φ7				29.5
				Φ8				27
				Φ6	Φ8			29
				Φ7	Φ8			27.5



The steel coupling is resistant to corrosion and can operate in temperatures ranging from -40 to 350 degrees F. This Ruland clamping four beam coupling is suitable for use in power transmission applications. Rigid coupling are used in a broad range of applications, such as hardware, model, and machincial transimit etc.

There are many other models of this series RIGID COUPLING in following specification list for your reference.

Tighten Rigid Steel Coupling Specification								
Model	Outside Diameter (mm)	L (mm)	S (mm)	Bore Diameter (mm)		Hex. Socket Screws	Materail	Net Weight (g)
				Left	Right			
GT-14	Φ14	22	5	Φ5		4 x M5	Steel	22
				Φ6				21
GT-15	Φ15			Φ7				24
				Φ8				23
GT-16	Φ16	25	6	Φ5	Φ8	4 x M6		29
				Φ6	Φ8			27
				Φ7	Φ8			24
				Φ8	Φ8			42
GT-18	Φ18	25	6	Φ5	Φ10	4 x M6		39
				Φ6	Φ10			46
GT-20	Φ20	30	7	Φ10		4 x M6		50
				Φ8	Φ10			62
GT-22	Φ22	30	7	Φ12		4 x M6	68	
				Φ8	Φ12		67	
GT-22L	Φ22 (Longer)	46	5	Φ10		8 x M6	105	
				Φ10	Φ12		98	
				Φ12			90	

Tighten Rigid Brass Coupling Specification								
Model	Outside Diameter (mm)	L (mm)	S (mm)	Bore Diameter (mm)		Hex. Socket Screws	Materail	Net Weight (g)
				Left	Right			
TT-14	Φ14	22	5	Φ4		4 x M4	Brass	25
				Φ6				31.5
TT-16	Φ16			Φ7				29.5
				Φ8				27
		Φ6	Φ8	29				
		Φ7	Φ8	27.5				

Tyre Coupling Specification								
Model	Outside Diameter (mm)	L (mm)	S (mm)	Bore Diameter (mm)		Plus Screws	Materail	Net Weight (g)
				Left	Right			
TC-10	10	17	5.5	Φ4	M3	2 x M3	Brass	14
				Φ5				13
				Φ6				12

Remarks: 1) Besides this models, customized is welcomed.

2) Dimensions and weight of list may be a little different from real products.