

**100Nm Roller Chain rigid coupling bore 12 mm to 12 mm large torque High torque coupler for motor 12 teeth Sprocket Pitch 12.7 mm**

Item specifics

Material:Steel

Structure:Roller Chain

Flexible or Rigid:Rigid

Standard or Nonstandard:Standard

Model Number:CC-12

Net Weight:0.7 kg

Max. Torque:100 Nm

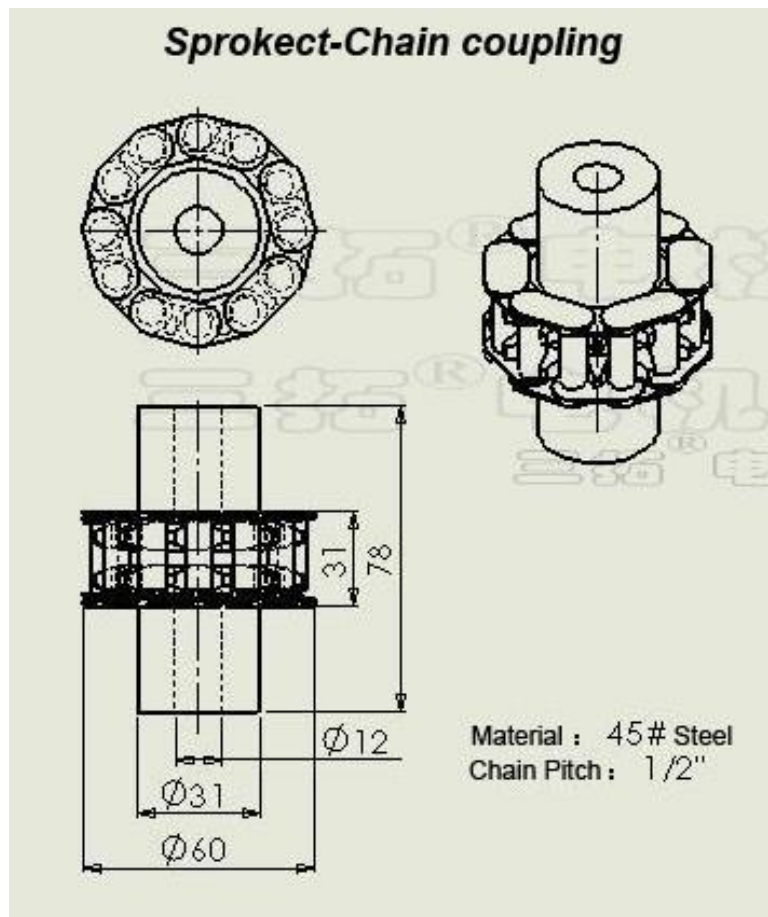
Bore dia. 1:12 mm

Bore dia. 2:12 mm

Key-way:none

Tighten screws:none

Size:



Rigid coupling Catalogue

Tighten Rigid Steel Coupling Specification								
Model	Outside Diameter (mm)	L (mm)	S (mm)	Bore Diameter (mm)		Hex. Socket Screws	Material	Net Weight (g)
				Left	Right			
GT-14	Φ14	22	5	Φ5		4 x M5	Steel	22
GT-15	Φ15			Φ6				21
				Φ7				24
GT-16	Φ16			Φ8				23
		Φ5	Φ8	29				
		Φ6	Φ8	27				
		Φ7	Φ8	24				
GT-18	Φ18	25	6	Φ5	Φ10			4 x M6
GT-20	Φ20			Φ6	Φ10	39		
		Φ10		46				
GT-22	Φ22	30	7	Φ8	Φ10	50		
				Φ12		62		
				Φ8	Φ12	68		
GT-22L	Φ22 (Longer)	46	5	Φ10	Φ12	8 x M6	67	
				Φ10			105	
				Φ12			98	

Tighten Rigid Brass Coupling Specification								
Model	Outside Diameter (mm)	L (mm)	S (mm)	Bore Diameter (mm)		Hex. Socket Screws	Material	Net Weight (g)
				Left	Right			
TT-14	Φ14	22	5	Φ4		4 x M4	Brass	25
TT-16	Φ16			Φ6				31.5
				Φ7				29.5
				Φ8				27
				Φ6	Φ8			29
				Φ7	Φ8			27.5

Tyre Coupling Specification								
Model	Outside Diameter (mm)	L (mm)	S (mm)	Bore Diameter (mm)		Plus Screws	Material	Net Weight (g)
				Left	Right			
TC-10	10	17	5.5	Φ4	M3	2 x M3	Brass	14
				Φ5				13
				Φ6				12

Remarks: 1) Besides this models, customized is welcomed.  
 2) Dimensions and weight of list may be a little different from real products.