

**100Nm Rollenkette starre Kupplungsbohrung 12 mm zu 12 mm großes Drehmoment Hohe Drehmoment
Kupplung für Motor 12 Zähne Kettenrad-Teilung 12,7 mm**

Technische Daten:

Material: Stahl

Struktur: Rollenkette

Flexibel oder starr: starr

Standard oder nicht standardmäßig: Standard

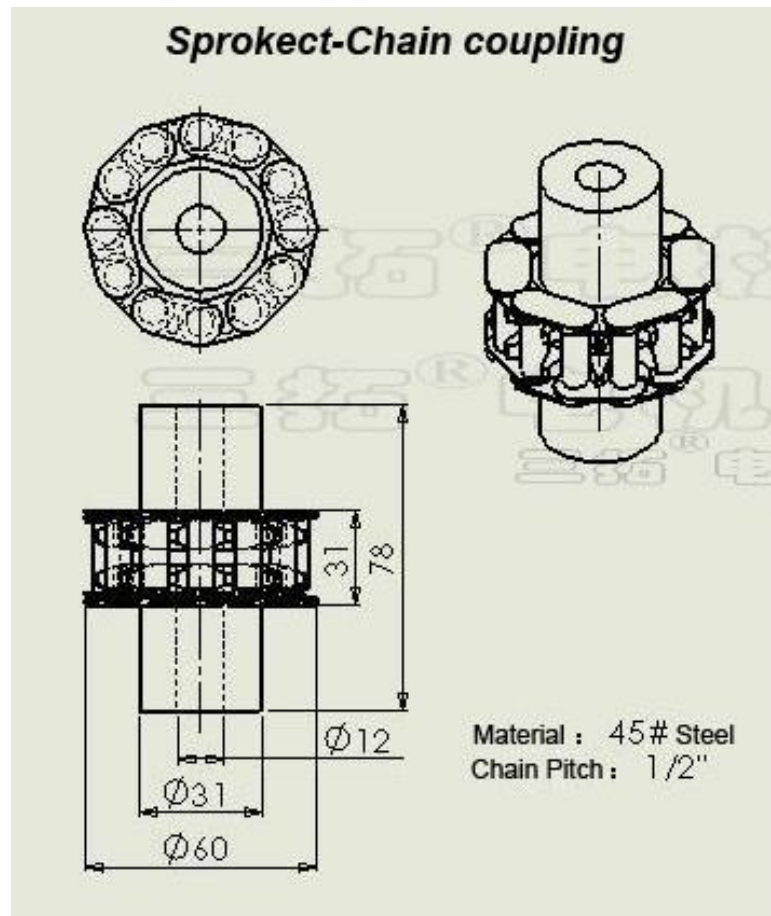
Modellnummer: CC-12

Nettogewicht: 0,7 kg

Max. Drehmoment: 100 Nm

Bohrungsdurchmesser 1:12 mm

Bohrungsdurchmesser 2:12 mm



Tighten Rigid Steel Coupling Specification								
Model	Outside Diameter (mm)	L (mm)	S (mm)	Bore Diameter (mm)		Hex. Socket Screws	Material	Net Weight (g)
				Left	Right			
GT-14	Φ14	22	5	Φ5		4 x M5	Steel	22
GT-15	Φ15			Φ6				21
				Φ7				24
GT-16	Φ16			Φ8				23
		Φ5	Φ8	29				
		Φ6	Φ8	27				
		Φ7	Φ8	24				
GT-18	Φ18	25	6	Φ5	Φ10			42
GT-20	Φ20			Φ6	Φ10	39		
GT-22	Φ22	30	7	Φ10		4 x M6		46
				Φ8	Φ10			50
				Φ12				62
GT-22L	Φ22 (Longer)	46	5	Φ8	Φ12		68	
				Φ10	Φ12		67	
				Φ10			105	
				Φ12		98		
						8 x M6	90	

Tighten Rigid Brass Coupling Specification									
Model	Outside Diameter (mm)	L (mm)	S (mm)	Bore Diameter (mm)		Hex. Socket Screws	Material	Net Weight (g)	
				Left	Right				
TT-14	Φ14	22	5	Φ4		4 x M4	Brass	25	
TT-16	Φ16			Φ6				31.5	
				Φ7				29.5	
TT-16	Φ16			Φ8				27	
		Φ6	Φ8	29					
		Φ7	Φ8	27.5					

Tyre Coupling Specification								
Model	Outside Diameter (mm)	L (mm)	S (mm)	Bore Diameter (mm)		Plus Screws	Material	Net Weight (g)
				Left	Right			
TC-10	10	17	5.5	Φ4	M3	2 x M3	Brass	14
				Φ5				13
				Φ6				12

Remarks: 1) Besides this models, customized is welcomed.
2) Dimensions and weight of list may be a little different from real products.