

3M30T Arc HTD Tooth Tensioner Pulleys 30 Teeth Pitch 3mm Timing Belt Tensioning System easy access adjustment slave drive Sheave

Package Includes:

1 x Tensioner

Description

Material: Alloy

Model Number: Tensioner- 3M30T

Type: Timing

Series :3M

Tooth Number:30

Pitch: 3mm

Fit Belt Series :3M

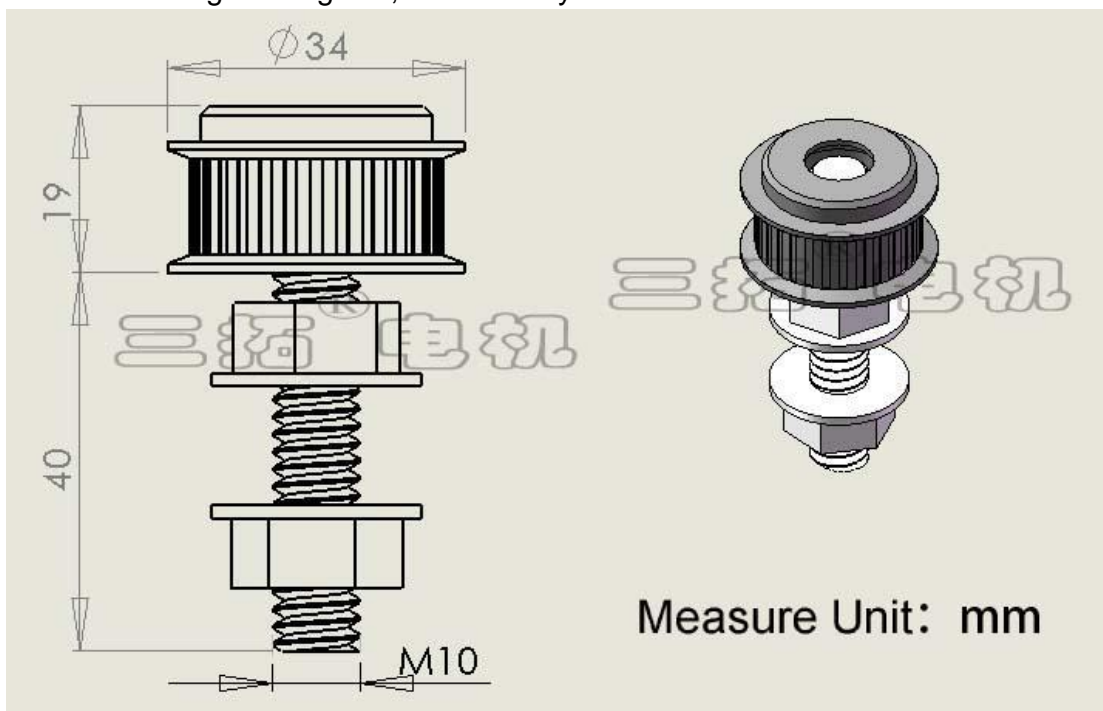
Fit Belt Width :10mm

Drive Type: slave drive pulley

Body Materials : Aluminum Alloy

Color: Silvery

There is rolling bearing in it, and fixed by screw arbor. 3-15mm install wide.



Usage for step motor

