

5M22T 22 Teeth Arc HTD Tooth Tensioner Pulleys Pitch 5mm Timing Belt Tensioning System easy access adjustment slave drive Sheave step motor

Package Includes:

1 x Tensioner

Description

Material: Alloy

Model Number: Tensioner- 5M22T

Type: Timing

Series :5M

Tooth Number:22

Pitch: 5mm

Fit Belt Series :5M

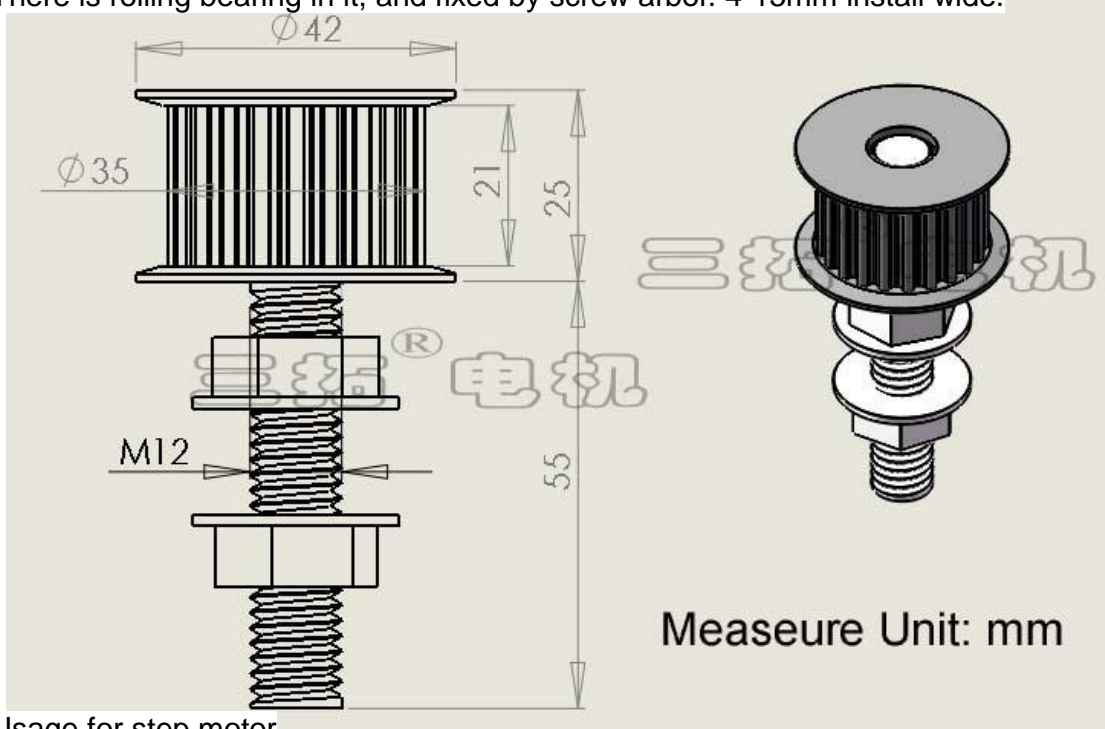
Fit Belt Width :20mm

Drive Type: slave drive pulley

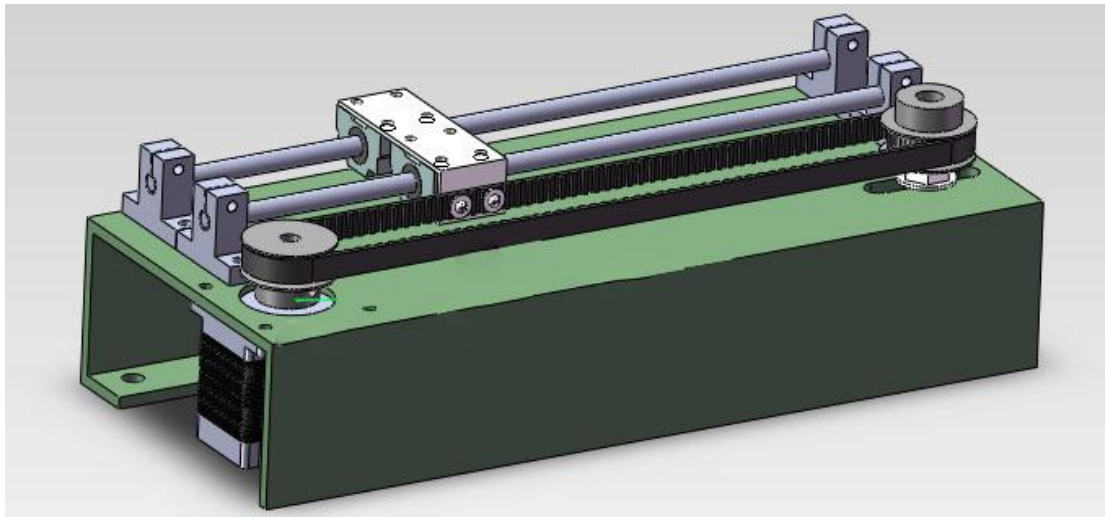
Body Materials : Aluminum Alloy

Color: Silvery

There is rolling bearing in it, and fixed by screw arbor. 4-15mm install wide.



Usage for step motor



SHENZHEN Lejing INDUSTRY DEVELOPMENT CO.LTD

<http://www.einausschlaten.com/> E-Mail: sale@einausschlaten.com Whatsapp: +86 183 2644 0199