

L13T Tensioner Pulleys 13 Teeth Pitch 9.525mm 3/8" Timing Belt Tensioning System easy access adjustment DIY slave drive Sheave

Package Includes:

1 x Tensioner

Description

Material:Alloy

Model Number:Tensioner-L13T

Type:Timing

Series :L

Tooth Number:13

Pitch:3/8inch /9.52 mm

Fit Belt Series :L

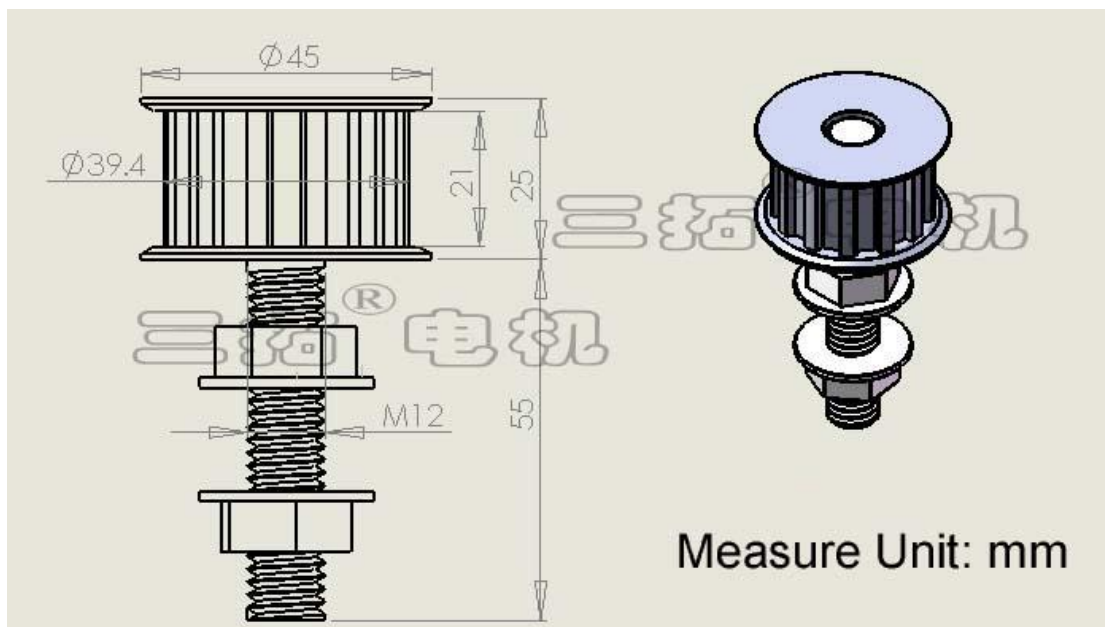
Fit Belt Width :20mm

Drive Type:slave drive pulley

Body Materials :Aluminum Alloy

Color:Silvery

There is rolling bearing in it, and fixed by screw arbor. 4-15mm install wide.



Usage for step motor

