

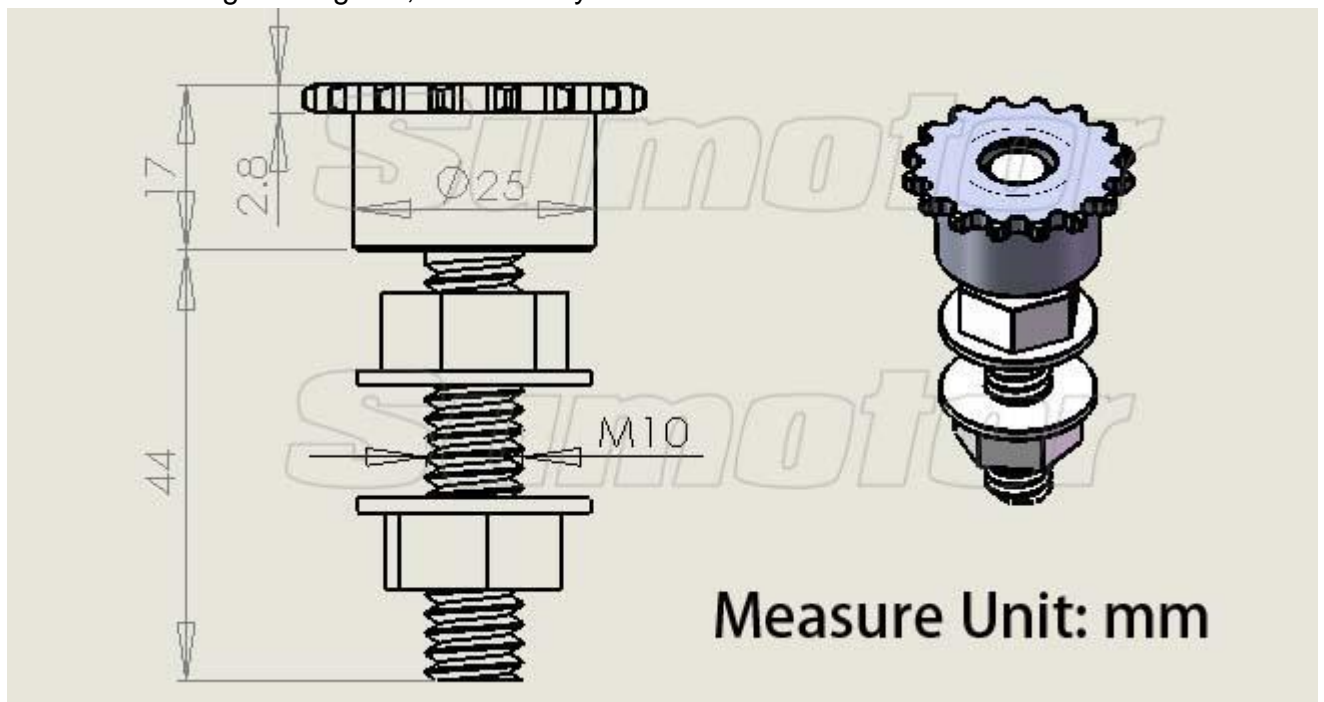
04C16T Tensioner Sprockets 16Teeth Pitch 6.35mm 1/4" Chain wheel Tensioning System easy access adjustment Slave Drive Sheave DIY

Package Includes:
1 x Tensioner

Item specifics

Material:Steel
Standard:ANSI
Model Number:04C-16T
Series :04C
Tooth Number:16
Pitch:1/4inch /6.35 mm
Fit Chain Series :04C
Drive Type:slave drive pulley
Body Materials :Aluminum Alloy
Color:Silvery

There is rolling bearing in it, and fixed by screw arbor. 3-15mm install wide.



Usage for step motor

