

200W AC 220-240V 50/60Hz electric Worm geared motor low speed with speed controller CW CCW Variable Adjustable Speed optional

Item specifics

Certification:CCC,CE

AC Voltage:208-230 / 240 V

Output Power:200W

Type:Induction Motor

Frequency:50HZ/60HZ

Efficiency:IE 2

Protect Feature:Drip-proof

Phase:Single-phase

Maximum Speed: 14rpm 17rpm 23rpm 28rpm 35rpm 46rpm 70rpm 93rpm 140rpm 186rpm 280rpm

Maximum rated Torque: 30 34 43 39 33 27 20 13.5 11 7.3 4.9 N.m

Rotation direction:CW / CCW

Voltage:AC 220V/240V(±15%)

Noise:Less than 55dB

Net Weight:8.2 KG

Usage 1:packaging, printing, textile, dyeing, chemical, food, medical

Usage 2:advertising, office, petrochemical, instrumentation, stage lighting

Usage 3:transmission, automatic warehouse, parking acces

200W AC 220-240V 50/60Hz electric Worm geared motor low speed with speed controller CW CCW Variable Adjustable Speed optional

Options of Speed!!!!

14rpm 17rpm 23rpm 28rpm 35rpm 46rpm 70rpm 93rpm 140rpm 186rpm 280rpm

You can leave a message for us when go to the "Place Order" web page. (We would not responsible if you don't specify speed.)

Package including:

1x one-phase adjustable worm gear motor (AC 220V 200W).

1x 200W AC speed controller. (If you don't need speed controller, contact us to minus price)

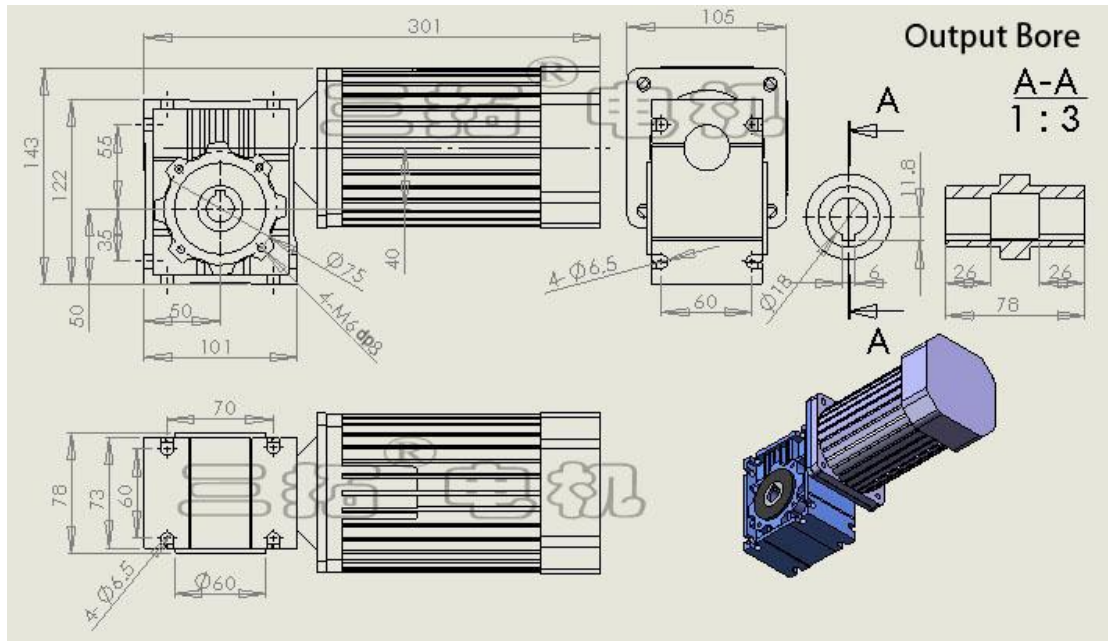
Options of Speed!!!!

14rpm 17rpm 23rpm 28rpm 35rpm 46rpm 70rpm 93rpm 140rpm 186rpm 280rpm

Important: Please must specify the speed you need

You can leave a message for us

1-phase 220V AC 200W Adjustable Worm Gear Motor										
Model	Voltage (V)	Rated Power (W)	Maximum Speed (r/min)	Ratio 1: xx	Maximum Torque (N.m)	Rated Current (A)	Dimension (exclude shaft)	Shaft (mm)		Net Weigh (Kg)
0056444	220V AC	200	14	100	30	1.8	301x105x143	Double /Single output	Φ18 output bore	8.2
			17	80	34					
			23	60	43					
			28	50	39					
			35	40	33					
			46	30	27					
			70	20	20					
			93	15	13.5					
			140	10	11					
			186	7.5	7.3					
			280	5	4.9					



Widely used in lifting, packaging, printing, textile, dyeing, chemical, food, medical, pharmaceutical construction machineries. And advertising, office, petrochemical, instrumentation, stage lighting, transmission, automatic warehouse, parking access control system and other equipments.

Product description:

-This motor with speed controller, reduce speed will reduce torque and power. If you don't need speed controller, please contact us to reduce price.

-This is one-phase AC 220V motor, this series motor maximum power is 200W. If you need power larger than 200W, you can contact us to buy three-phase AC 380V (220V) motor.

-If you need motor stop at an instant, it need brake for the motor, it will cost more \$50, please contact us to buy this.

-There are also other AC 220V one-phase AC 380V(220V) 3-phase worm gear motor for select as "Sheet 1"

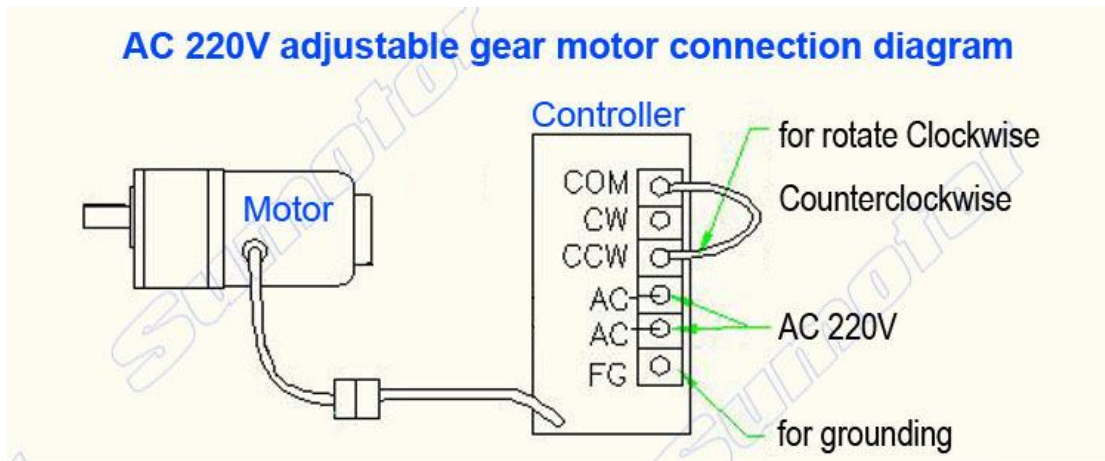
Warranty

One-phase AC 220V one-phase AC 380V(220V) 3-phase worm gear motor series motor is factory sale, we guaranty its quality, the motor is guaranteed for 1 year.

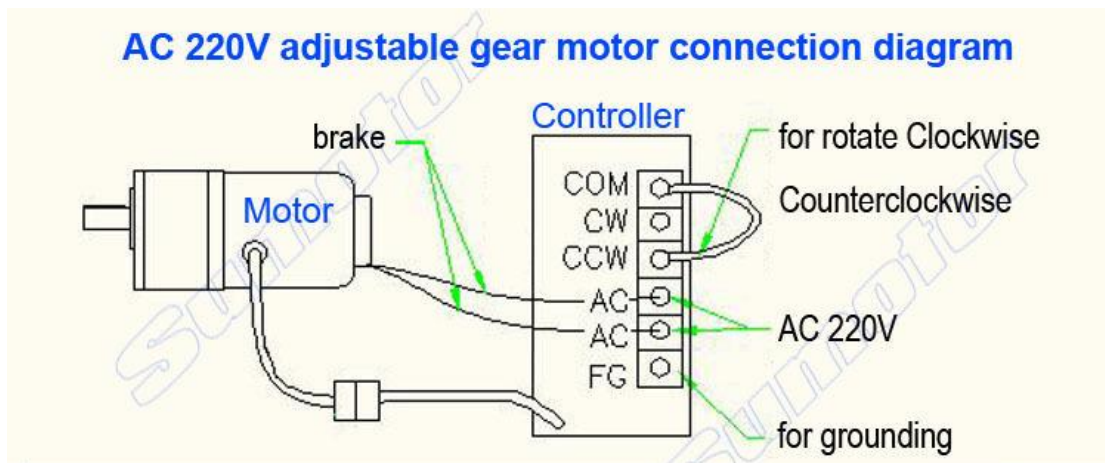
We sincerely ask buyer to meter the current when you loading, the Loading Current should not exceed our Rated Current, current indicate the loading, large current will affects motor lifespan.

Primary connection diagram: Motor+controller

Primary connection diagram: Motor+controller



With brake connection diagram

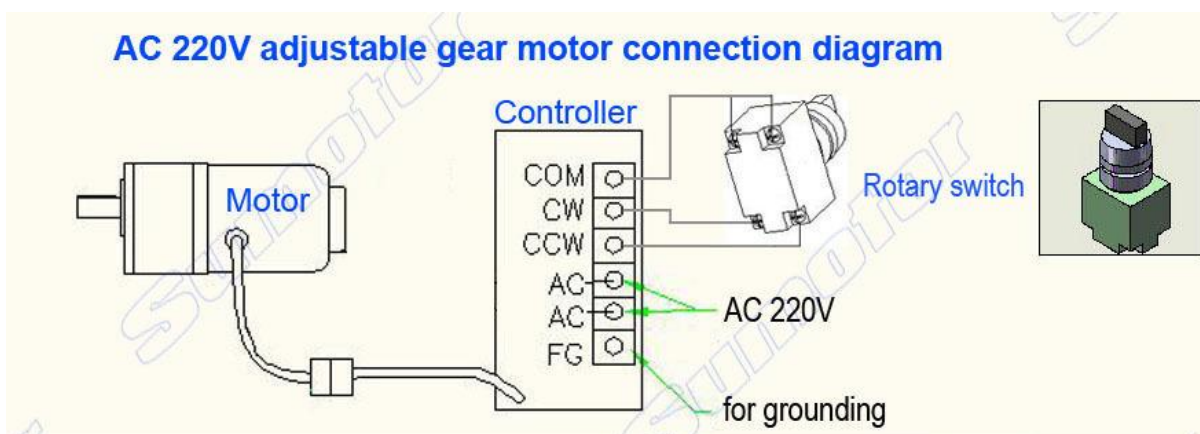


Brake Fundamental: When switch on brake, the resistance will disappear. When switch off brake, the brake will resist to motor rotation. When all circuit is closed, the brake will not affect the motor, at the instant of circuit open, brake will resist to stop motor instantly.

The brake cables must parallel connection with speed controller as the diagram. Switch on the circuit, the brake will make a clik sound, then you it start working now.

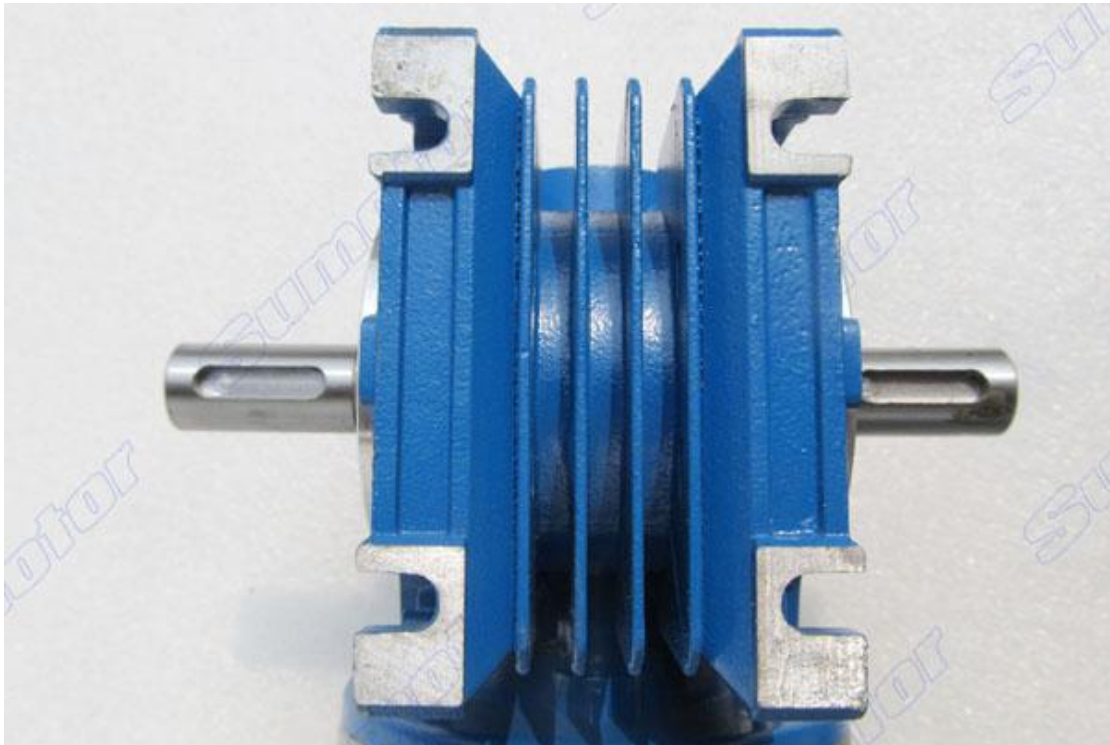
WARNING: The brake cables must parallel connection with speed controller as the diagram. If brake is switch off, and motor switch on, the motor will RUINING.

CW CCW rotary switch connection diagram

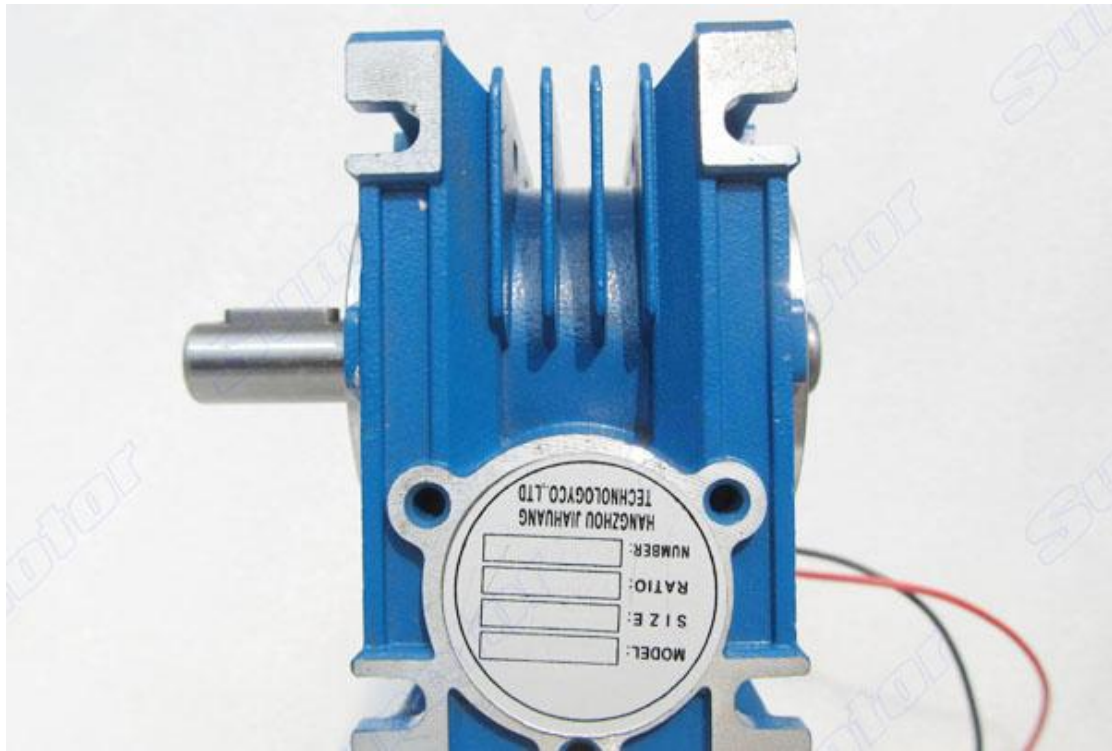




Double output shaft



Single output shaft



AC Worm Gear Motor																
Voltage (V)	Power (Kw)	Current (A)	Torque (Nm) in different speed											Dimensions (mm)	Net Weight (Kg)	
			1:100	1:80	1:60	1:50	1:40	1:30	1:20	1:15	1:10	1:7.5	1:5			
			14 rpm	17 rpm	23 rpm	28 rpm	35 rpm	46 rpm	70 rpm	93 rpm	140 rpm	186 rpm	280 rpm			
220V 1-phase	0.09	0.83	-	15	19	18.7	15.8	12.5	8.3	5.5	4.5	3	2	268x90x115	4.7	
	0.12	1.1	-	15	19	23	19.8	16	11	7.3	6	4	2.8	298x90x115	5.7	
	0.2	1.8	30	34	43	39	33	27	20	13.5	11	7.3	4.9	301x105x143	7.5	
380V 3-phase (220V 3-phase)	0.18	0.6	30	34	43	38	32	26	19	13	10	6.7	4.5	314x130x173	7.5	
	0.25	0.79	55	65	60	54	46	37	26	17	14	9.3	6.2	356x145x191	9.6	
	0.37	1.1	55	65	89	80	68	55	40	27	21	14	9.3	365x145x191	9.9	
	0.55	1.57	120	130	140	124	105	83	60	40	31	21	14	414x173x220	15.7	
	0.75	2	120	130	140	160	143	114	83	55	43	28	18.7	414x173x220	17.1	
	1.1	2.89	180	190	200	210	216	171	123	82	62	41	27.3	464x195x261	22.5	
1.5	3.7	270	310	410	368	307	239	171	114	86	57	38	523x200x293	26.9		