

GW90 90W AC 220-240V 50/60Hz electric Worm geared motor low speed with speed controller CW CCW Variable Adjustable Speed optional

Item specifics

Model Number:GW90
 Certification:CCC,CE
 AC Voltage:208-230 / 240 V
 Output Power:90W
 Type:Induction Motor
 Frequency:50HZ/60HZ
 Efficiency:IE 2
 Protect Feature:Drip-proof
 Phase:Single-phase
 Maximum Speed:17rpm 23rpm 28rpm 35rpm 46rpm 70rpm 93rpm 140rpm 186rpm 280rpm
 Maximum rated Torque:15 19 18.7 15.8 12.5 8.3 5.5 4.5 3 2 N.m
 Rotation direction:CW / CCW
 Voltage:AC 220V/240V(±15%)
 Noise:Less than 55dB
 Net Weight:5 KG
 Usage 1:packaging, printing, textile, dyeing, chemical, food, medical
 Usage 2:advertising, office, petrochemical, instrumentation, stage lighting
 Usage 3:transmission, automatic warehouse, parking acces

GW90 90W AC 220-240V 50/60Hz electric Worm geared motor low speed with speed controller CW CCW Variable Adjustable Speed optional

Options of Speed!!!!

17rpm 23rpm 28rpm 35rpm 46rpm 70rpm 93rpm 140rpm 186rpm 280rpm
 You can leave a message for us when go to the "Place Order" web page. (We would not responsible if you don't specify speed.)

Package including:

1x one-phase adjustable worm gear motor (AC 220V 90W).
 1x 90W AC speed controller. (If you don't need speed controller, contact us to minus price)

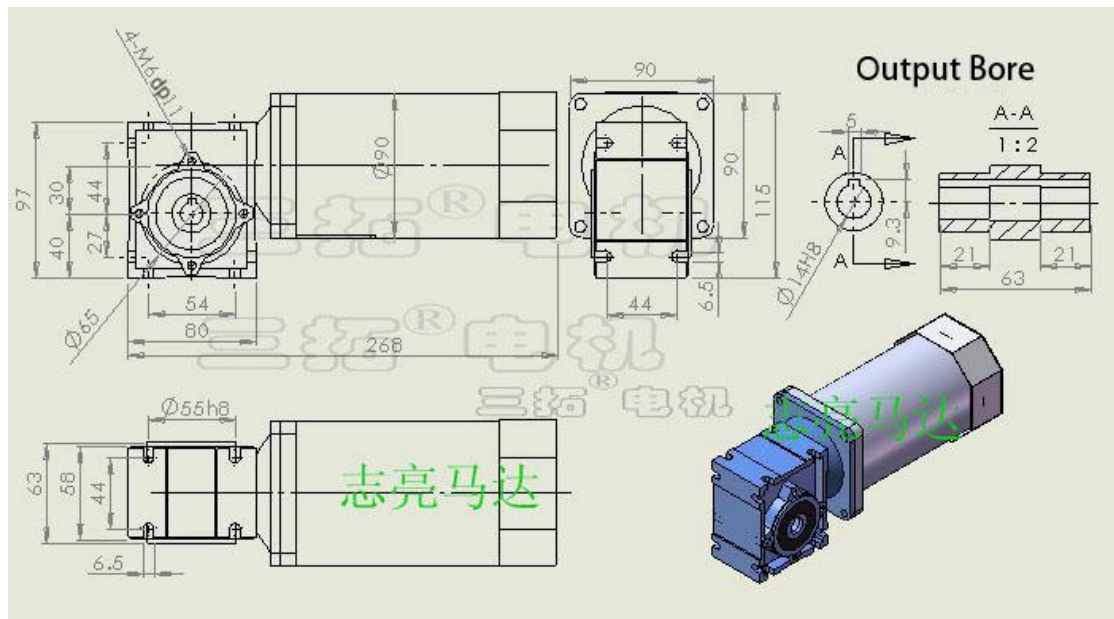
Options of Speed!!!!

17rpm 23rpm 28rpm 35rpm 46rpm 70rpm 93rpm 140rpm 186rpm 280rpm

Important: Please must specify the speed you need

You can leave a message for us

1-phase 220V AC 90W Adjustable Worm Gear Motor										
Model	Voltage (V)	Rated Power (W)	Maximum Speed (r/min)	Ratio 1: xx	Maximum Torque (N.m)	Rated Current (A)	Dimension (exclude shaft)	Shaft (mm)		Net Weight (Kg)
0056423	220V AC	90	17	80	15	0.83	268x90x115	Double /Single output	Φ14 output bore	5
			23	60	19					
			28	50	18.7					
			35	40	15.8					
			46	30	12.5					
			70	20	8.3					
			93	15	5.5					
			140	10	4.5					
			186	7.5	3					
			280	5	2					



Widely used in lifting, packaging, printing, textile, dyeing, chemical, food, medical, pharmaceutical construction machineries. And advertising, office, petrochemical, instrumentation, stage lighting, transmission, automatic warehouse, parking access control system and other equipments.

Product description:

-This motor with speed controller, reduce speed will reduce torque and power. If you don't need speed controller, please contact us to reduce price.

-This is one-phase AC 220V motor, this series motor maximum power is 200W. If you need power larger than 200W, you can contact us to buy three-phase AC 380V (220V) motor.

-If you need motor stop at an instant, it need brake for the motor, it will cost more \$50, please contact us to buy this.

-There are also other AC 220V one-phase AC 380V(220V) 3-phase worm gear motor for select as "Sheet 1"

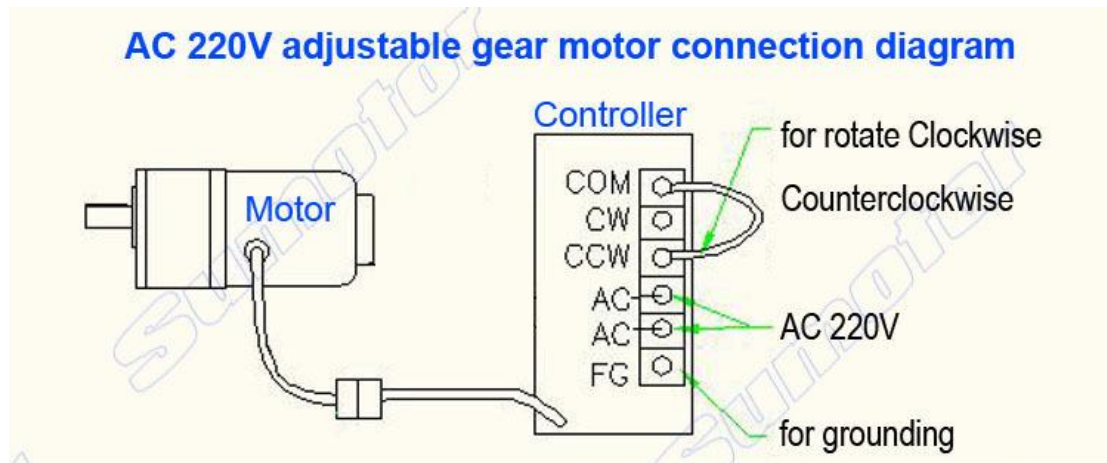
Warranty

One-phase AC 220V one-phase AC 380V(220V) 3-phase worm gear motor series motor is factory sale, we guaranty its quality, the motor is guaranteed for 1 year.

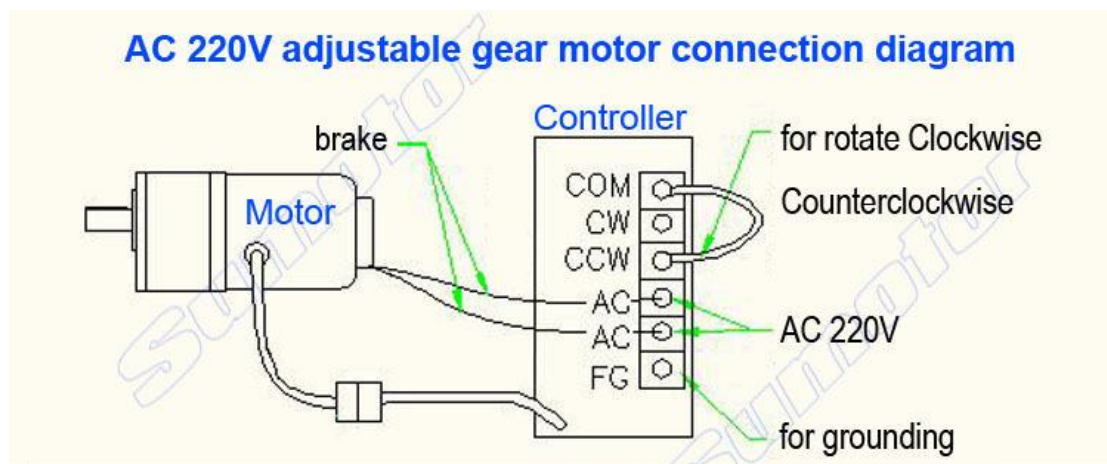
We sincerely ask buyer to meter the current when you loading, the Loading Current should not exceed our Rated Current, current indicate the loading, large current will affects motor lifespan.

Primary connection diagram: Motor+controller

With brake connection diagram



With brake connection diagram



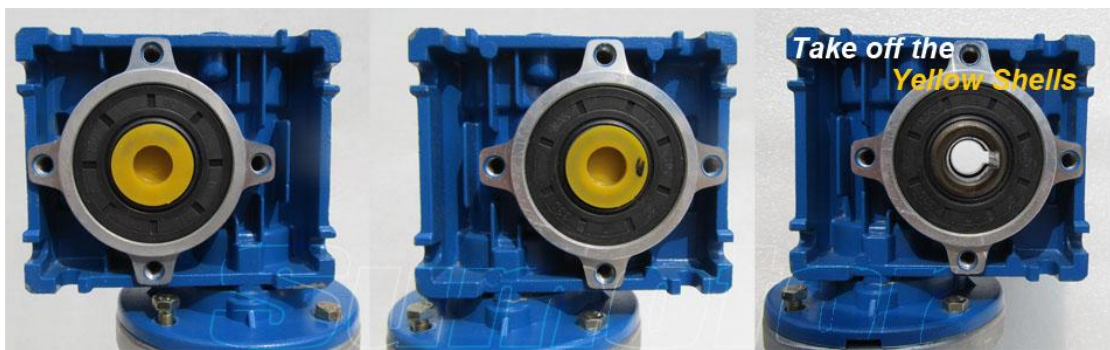
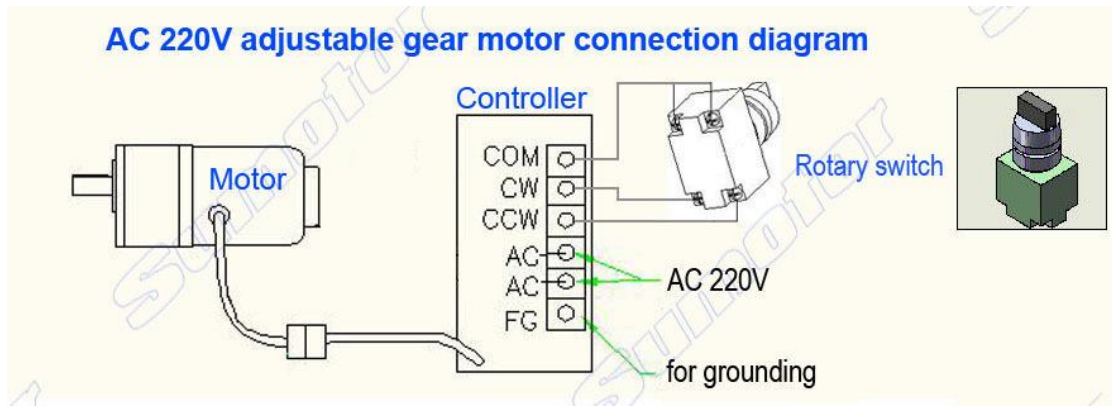
Brake Fundamental: When switch on brake, the resistance will disappear. When switch off brake, the brake will resist to motor rotation. When all circuit is closed, the brake will not affect the motor, at the instant of circuit open, brake will resist to stop motor instantly.

The brake cables must parallel connection with speed controller as the diagram. Switch on the circuit, the brake will make a klik sound, then you it start working now.

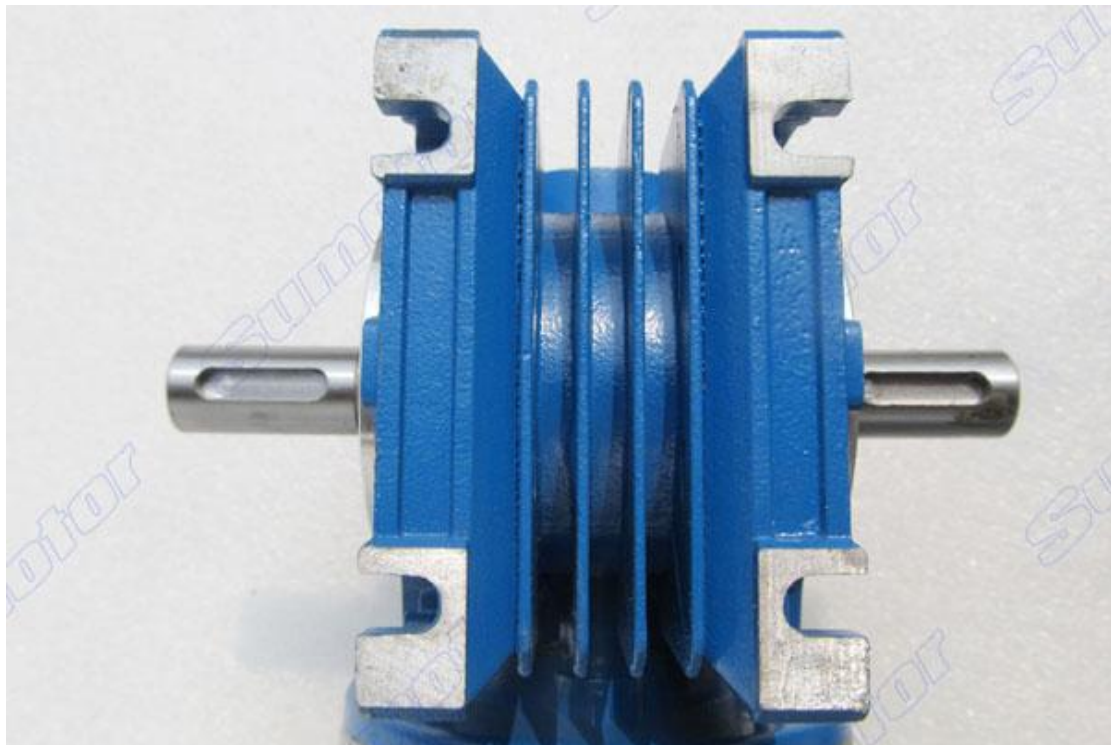
WARNING: The brake cables must parallel connection with speed controller as the diagram. If brake is switch off, and motor switch on, the motor will RUINING.

CW CCW rotary switch connection diagram

CW CCW rotary switch connection diagram



Double output shaft



Single output shaft

