

DC 12V 350W Worm Geared reducer electric motor High power torque Low speed for Industrial machine Supermarket cleaning 9.2 kg

Package Include:
1 x Motor

Item specifics

Certification:CE,CCC

Commutation:Brush

Torque:8000 7000 6000 5000 4000 3600 2600 2000 1400 1050 750 N*cm

Usage:Car,Fan,Electric Bicycle,Home Appliance,Boat

Voltage(V):DC 12V

Construction:Permanent Magnet

Continuous Current(A):30 A

Protect Feature:Drip-proof

Efficiency:IE 2

Output Power:200 W

Type:Gear Motor

Usage:widely used in machine, DIY

Loading Speed:13 16 21 26 31 42 63 85 126 168 252 RPM

Shaft Bore Diameter:25 mmDimension:360x114x167mm/ 14.17x4.49x6.57inch

Body Material:Steel

Net Weight:9.2 Kg

Box Material:Zinc alloy, zincification

Loadind speed:>2000 hours

Worm Wheel Materials:Metal

Worm Materials:Cu(Cuprum)

SC114165 DC 24V Worm Gear Motor										
Item	Voltage (V)	No Load Speed (r/min)	Loading Speed (r/min)	Rated Torque (N.cm)	Rated Current (A)	Rated Power (W)	Dimension (exclude shaft)	Shaft (mm)		Net Weight
SC114165 1:100	DC 24V	17	13	8000	30.00	200	360x114x167 mm 14.17x4.49x6.57inch	Double /Single	Φ25 output bore	9.2 Kg 20.3 lb
SC114165 1:80		21	16	7000						
SC114165 1:60		28	21	6000						
SC114165 1:50		34	26	5000						
SC114165 1:40		42	31	4000						
SC114165 1:30		56	42	3600						
SC114165 1:20		84	63	2600						
SC114165 1:15		112	85	2000						
SC114165 1:10		170	126	1400						
SC114165 1:7.5		227	168	1050						
SC114165 1:5		340	252	750						

This type is miniature Worm Gear DC Motor, which can change shaft rotation direction while the wiring positive and negative be changed.

It also has additional two characteristics:

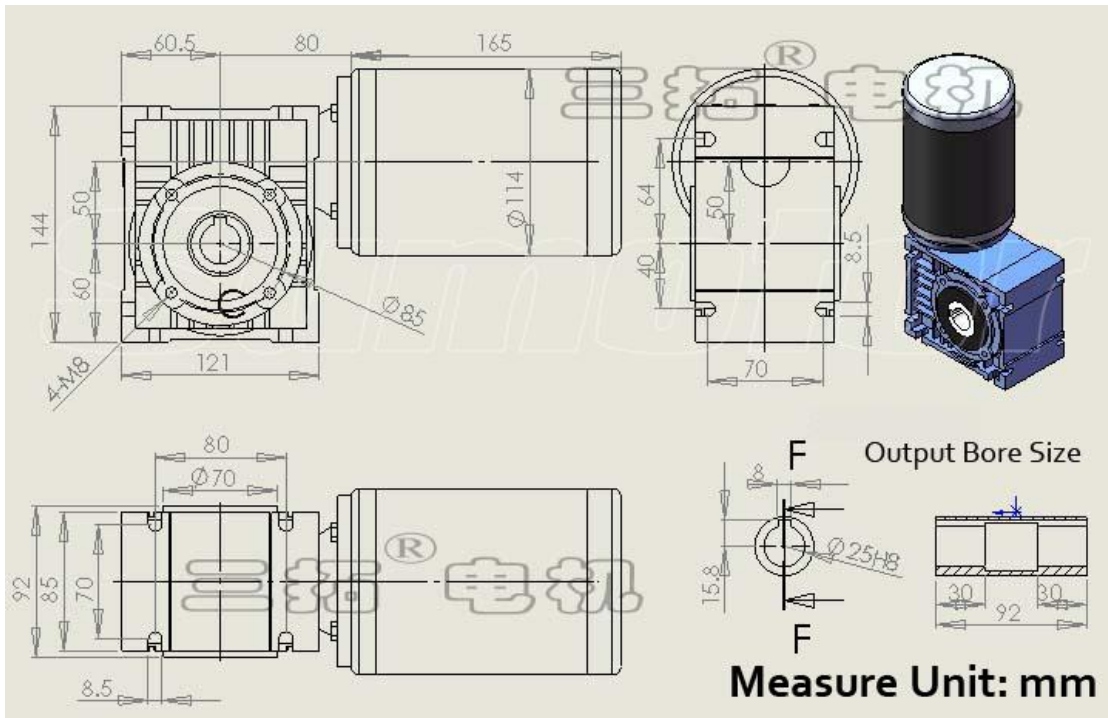
1 With self-locking, the output shaft can't rotation when switch off, that is self-locking.

2 Gearbox output shaft and motor shaft are come to be a rectangle, it's widely used in various of occasions that require special install size.

According to this characteristics, Worm Gear Motors is widely used in windows and doors opening, mini winch and other occasions.

There are many other models of this series Worm Gear Motor in following specification list for your reference.

Dimension Drawing



This motor Output power through Bore, need addition shaft, we have shaft suitable on sale, Bore Diameter is looks like the drawing.

