

2500rpm DC 12V 100W High speed Electric motor High torque engine Reversible for Manure spreader Ship Robot boat car model

Package Include:
1 x Motor

Item specifics

Certification:ROHS,CE,CCC

Commutation:Brush

Usage:Car,Fan,Electric Bicycle,Home Appliance,Boat

Voltage(V):DC 12V

Construction:Permanent Magnet

Protect Feature:Drip-proof

Efficiency:IE 2

Type:Tubular Motor

Continuous Current(A):10 A

Output Power:100 W

Torque:45 N*cm

Usage:widely used in machine, DIY

Loading Speed:1900 Rpm

Body Diameter:77 mm

Body Length:124 mm

Output Shaft Diameter:10 mm

Shaft Length:50 mm

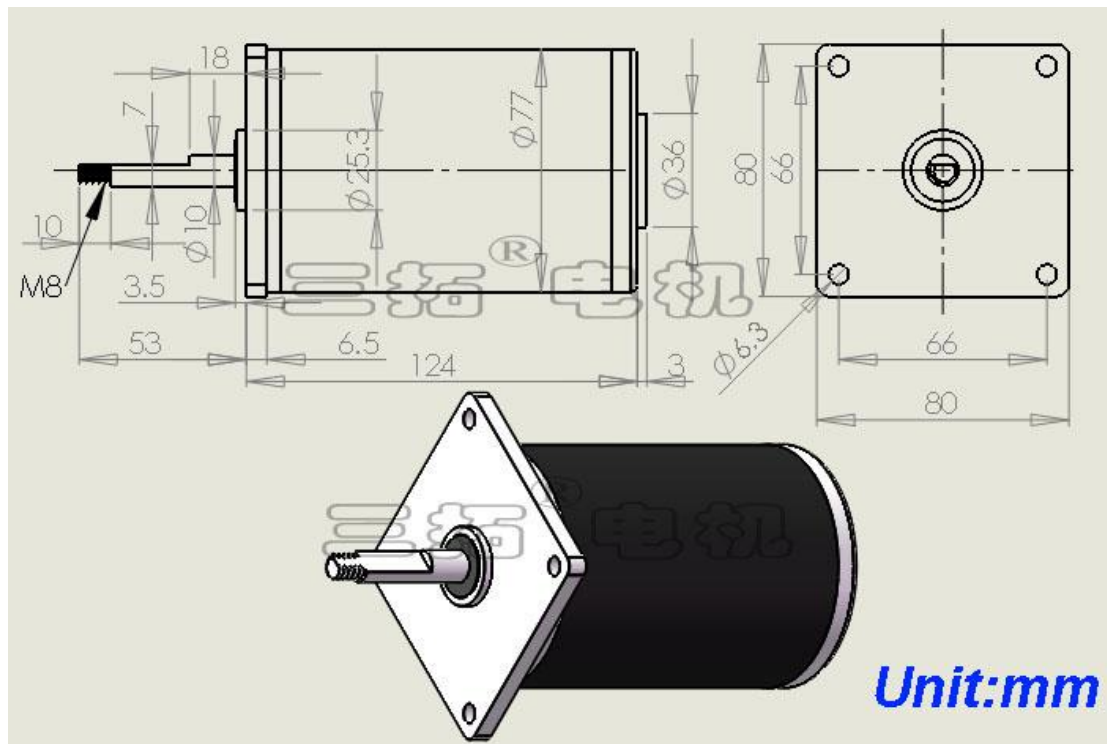
Color:Black

Net weight:1.8 Kg

Materials:Alloy

Place of Origin:Guangdong, China (Mainland)

Typical Application:Grass cutter Children car Rabbler Machine tools



Application:

