

## DC motor gear motor Motor

### specifics

Efficiency:IE 2  
Continuous Current(A): 120ma-240ma  
Output Power: 14 W  
Voltage(V):dc 12-24V  
Torque: 0.5kg.cm-60kg.cm  
Type:Gear Motor  
Construction:Permanent Magnet  
Protect Feature: Explosion-proof  
Usage:Car,Electric Bicycle  
Certification:CE,ROHS

### Speed(RPM):

12V: 1280rpm 800rpm 425rpm 266rpm 142rpm 88rpm 61rpm 47rpm 29rpm 15rpm 9rpm  
24V: 1280rpm 800rpm 425rpm 266rpm 142rpm 88rpm 61rpm 47rpm 29rpm 15rpm 9rpm

**Remark:Pls confirm the voltage and speed before ordering.**

### Specifications

1.Standard Operating Conditions

1-1 Rated Voltage:**12v,24v**

1-2 Direction of Rotation:**CW** when viewed from output shaft side

1-3Operating Temperature and Humidity:Temperature range of **-10C~+50C**,Humidity range of **30%~80%**.

1-4Storage Temperature:Temperature range of **-20C~+60C**

2.Measuring Conditions:

2-1Motor Position:To be place t horizontally when measuring

2-2Power Supply: Regulated DC power supply

--No load speed:**9-1280rpm**.

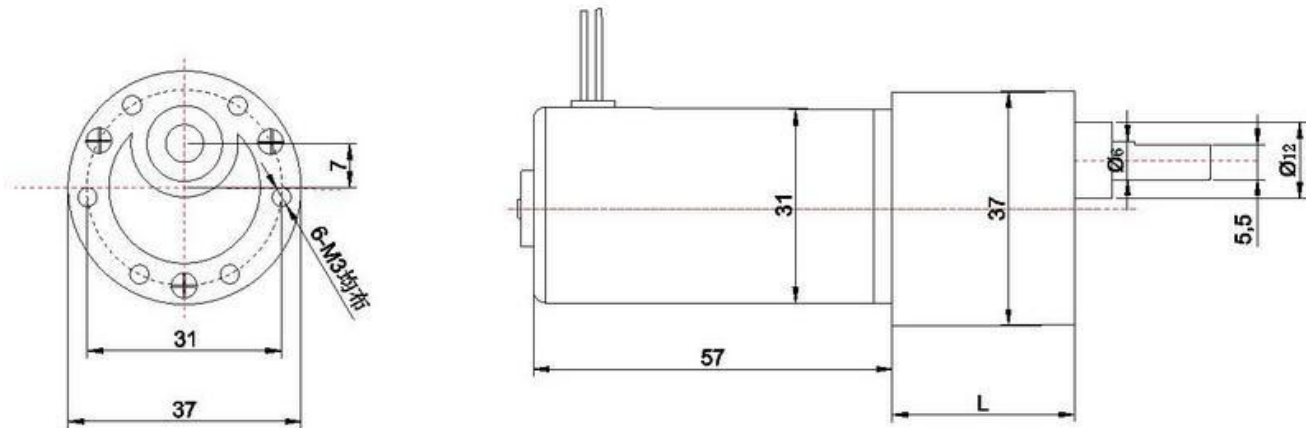
--Robotics, Small Appliance, Fanner, Electric Curtain;

--Medical Pump, Surgery Tools, Medical Stirrer, centrifugal Machine; Electric Valve, Actuator, medical device

--Electric motor,low noise,low current and no spark.

--Reduction ratio:**1/6.25,1/10,1/18.8,1/30,1/56,1/90,1/131,1/168,1/270,1/506,1/810**

Size:



Relation about Voltage and speed (rpm)

型號	電壓		空載		最大效率點				堵轉		減速器	
	Voltage		Noload		At Max.Efficiency				Stall		Speedreducer	
	使用範圍	額定值	轉速	電流	轉速	電流	扭矩	功率	扭矩	電流	減速比	長度
Model	Using	The	Speed	Current	Speed	Current	Torque	Power	Torque	Current	Redction	(L)Size
	Rangge	Rated	r/min	ma	r/min	A	kg.cm	W	kg.cm	A	Ratio	mm
	6-12V	12V	1280	240	960	1.2	0.5	14	2.5	3.5	6.25	19
	6-12V	12V	800	240	600	1.2	0.8	14	4	3.5	10	19
	6-12V	12V	425	240	340	1.2	1.5	14	7.5	3.5	18.8	22
	6-12V	12V	266	240	212	1.2	2.4	14	12	3.5	30	22
	6-12V	12V	142	240	113	1.1	4.5	14	22	3.5	56	24
	6-12V	12V	88	240	73	1.1	7.2	14	36	3.5	90	24
	6-12V	12V	61	240	51	1.1	10	14	50	3.5	131	26.5
	6-12V	12V	47	240	40	1.1	14	14	禁止	3.5	168	26.5
	6-12V	12V	29	240	25	1	21	14	禁止	3.5	270	26.5
	6-12V	12V	15	240	13	1	40	14	禁止	3.5	506	29
	6-12V	12V	9	240	8	1	60	14	禁止	3.5	810	29
	6-24V	24V	1280	120	960	0.9	0.5	14	2.5	3	6.25	19
	6-24V	24V	800	120	600	0.9	0.8	14	4	3	10	19
	6-24V	24V	425	120	340	0.9	1.5	14	7.5	3	18.8	22
	6-24V	24V	266	120	212	0.9	2.4	14	12	3	30	22
	6-24V	24V	142	120	113	0.9	4.5	14	22	3	56	24
	6-24V	24V	88	120	73	0.9	7.2	14	36	3	90	24
	6-24V	24V	61	120	51	0.9	10	14	50	3	131	26.5
	6-24V	24V	47	120	40	0.8	14	14	禁止	3	168	26.5
	6-24V	24V	29	120	25	0.8	21	14	禁止	3	270	26.5
	6-24V	24V	15	120	13	0.8	40	14	禁止	3	506	29
	6-24V	24V	9	120	8	0.8	60	14	禁止	3	810	29