

# 12 Volt DC Worm Brushless Gear Motor Reduction Gearbox Engine Self-locking Reversible Geared Motor 24VDC Tachogenerator

## Item specifics

- Efficiency:IE 2
- Continuous Current: 90ma
- Voltage(V): 12V 24V
- Output Power: 4w
- Torque: 1 kg.cm-60kg.cm
- Type:Gear Motor
- Construction:Permanent Magnet
- Protect Feature: Totally Enclosed
- Usage:Car,Electric Bicycle
- Certification:CE,ROHS
- Speed(RPM):  
12V: 160rpm/min 40rpm/min 24rpm/min 18rpm/min 10rpm/min 6rpm/min 3rpm/min 2rpm/min

**Remark: Pls confirm the voltage and speed before ordering.**

## Specifications

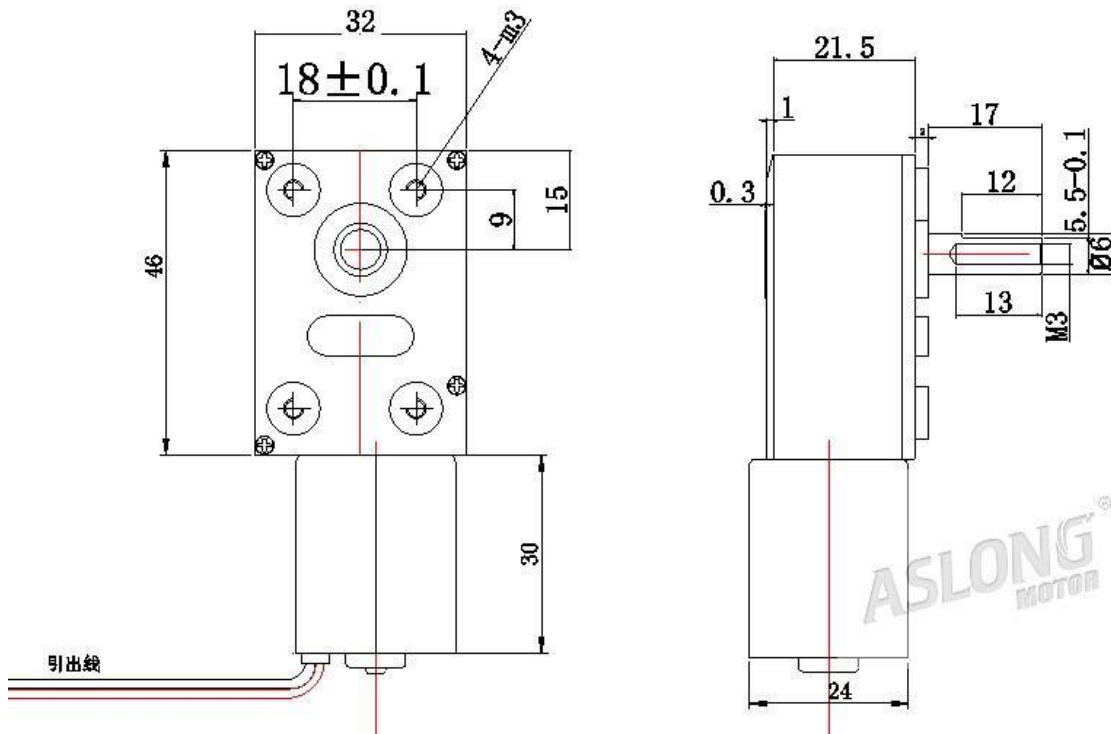
### 1.Standard Operating Conditions

- 1-1 Rated Voltage: **12V**
- 1-2 Direction of Rotation: CW when viewed from output shaft side
- 1-3 Operating Temperature and Humidity: Temperature range of **-10C~+50C**, Humidity range of **30%~80%**.
- 1-4 Storage Temperature: Temperature range of **-20C~+60C**

### 2.Measuring Conditions:

- 2-1 Motor Position: To be placed horizontally when measuring
- 2-2 Power Supply: Regulated DC power supply
- No load speed: **2-160rpm**.
- Robotics, Small Appliance, Fanner, Electric Curtain;
- Medical Pump, Surgery Tools, Medical Stirrer, centrifugal Machine; Electric Valve, Actuator, medical device.
- Electric motor, low noise, low current and no spark.

## Size:



**Wiring methods:** black line and blue line to connect power anode, the red line to connect power anode. The blue lines to disconnect the brake immediately.

**Yellow** line: the CW/CCW directional line, change to yellow line connects to the black line.

Green line: FG signal output hall signals

Blue line: PWM pulse width speed control line can be 0 to 5 v pulse width speed governor

Note: photographed please note you need speed, convenient we delivery. Thank you very much!

### relation about Voltage and speed (rpm)

Model	Using	The	Speed	Current	Speed	Current	Torque	Power	Torque	Current	Redction	(L)Size
	Rangge	Rated	r/min	ma	r/min	ma	kg.cm	W	kg.cm	A	Ratio	mm
	12-24V	12V	160	90	128	200	1	4	5	0.8	37.3	46
	12-24V	12V	40	90	32	200	4	4	16	0.8	150	46
	12-24V	12V	24	90	19	200	6	4	24	0.8	250	46
	12-24V	12V	18	90	15	200	7	4	30	0.8	324	46
	12-24V	12V	10	90	8	180	13	4	60	0.8	600	46
	12-24V	12V	6	90	5	180	20	4	ban	0.8	972	46
	12-24V	12V	3	90	2	180	35	4	ban	0.8	1700	46
	12-24V	12V	2	90	1.5	180	60	4	ban	0.8	2900	46