

DC motor gear motor Motor for intelligent robot

specifics

Efficiency:IE 2
Continuous Current(A): 120ma
Output Power: 3 W
Voltage(V):dc 12V
Torque: 0.1kg.cm-30kg.cm
Type:Gear Motor
Construction:Permanent Magnet
Protect Feature: Explosion-proof
Usage:Car,Electric Bicycle
Certification:CE,ROHS

Speed(RPM):

12V: 1600rpm 1000rpm 531rpm 333rpm 178rpm 111rpm 76rpm 59rpm 37rpm 20rpm 12rpm

Remark:Pls confirm the voltage and speed before ordering.

Specifications

1.Standard Operating Conditions

1-1 Rated Voltage:**12v.**

1-2 Direction of Rotation:**CW** when viewed from output shaft side

1-3Operating Temperature and Humidity:Temperature range of **-10C~+50C**,Humidity range of **30%~80%**.

1-4Storage Temperature:Temperature range of **-20C~+60C**

2.Measuring Conditions:

2-1Motor Position:To be place t horizontally when measuring

2-2Power Supply: Regulated DC power supply

--No load speed:**12-1600rpm.**

--Robotics, Small Appliance, Fanner, Electric Curtain;

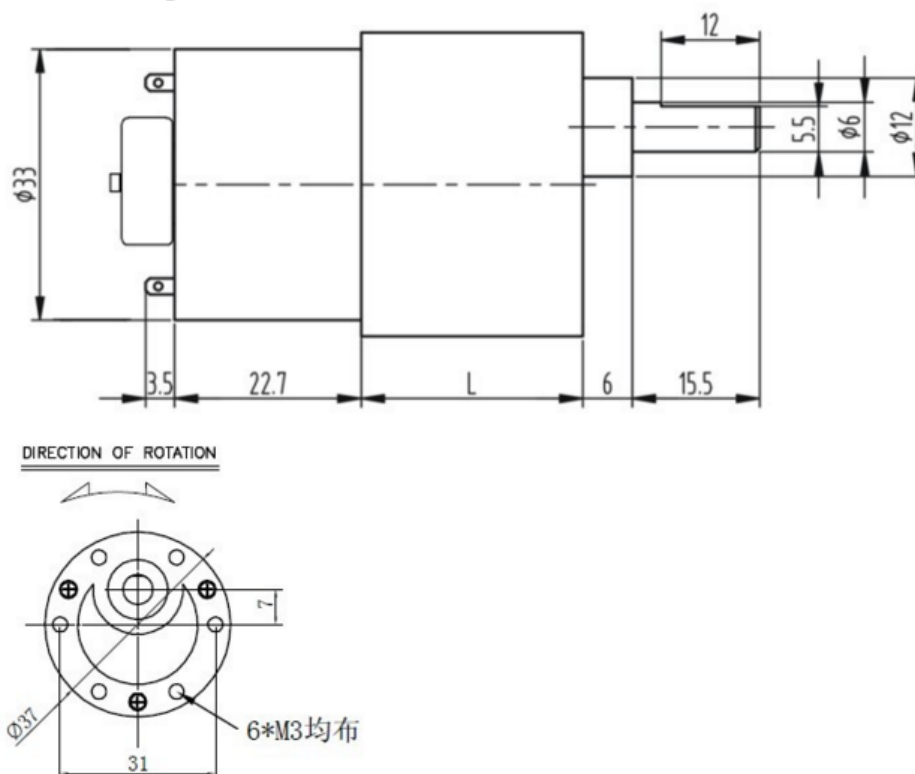
--Medical Pump, Surgery Tools, Medical Stirrer, centrifugal Machine; Electric Valve, Actuator, medical device

--Electric motor,low noise,low current and no spark.

--Reduction ratio:**1/6,1/10,1/18.8,1/30,1/56,1/90,1/131,1/168,1/270,1/506,1/810**

Size:

Outline Drawing



Relation about Voltage and speed (rpm)

voltage		no load		load torque				stall		reducer		weight
workable	rated	speed	current	speed	current	torque	output	torque	current	ratio	size	unit
range	volt.v	rpm	ma	rpm	ma	kg.cm	w	kg.cm	A	1:00	mm	g
6-15v	12	1600	120	1200	400	0.1	3	0.5	1	6	19	175
6-15v	12	1000	120	800	400	0.38	3	1.52	1	10	19	177
6-15v	12	531	120	424	350	0.7	3	2.8	1	18.8	22	180
6-15v	12	333	120	266	350	1.14	3	4.5	1	30	22	180
6-15v	12	178	120	412	350	2.1	3	8.4	1	56	24	188
6-15v	12	111	120	88	350	3.4	3	13	1	90	24	188
6-15v	12	76	120	60	350	5	3	20	1	131	26.5	190
6-15v	12	59	120	47	300	6.3	3	25	1	168	26.5	195
6-15v	12	37	120	29	300	10	3	40	1	270	26.5	194
6-15v	12	20	120	16	300	19	3	ban	1	506	29	200
6-15v	12	12	120	9	300	30	3	ban	1	810	29	200