

DC motor gear motor Motor for intelligent robot

specifics

Efficiency:IE 1
Continuous Current(A): 70ma
Output Power: 6 W
Voltage(V):dc 12-24V
Torque: 0.32kg.cm-30kg.cm
Type:Gear Motor
Construction:Permanent Magnet
Protect Feature: Explosion-proof
Usage:Car,Electric Bicycle
Certification:CE,ROHS

Speed(RPM):

24V: 1727rpm 818rpm 356rpm 223rpm 168rpm 97rpm 73rpm 44rpm 33rpm 20rpm 15rpm

Remark:Pls confirm the voltage and speed before ordering.

Specifications

1.Standard Operating Conditions

1-1 Rated Voltage:**24V**

1-2 Direction of Rotation:**CW** when viewed from output shaft side

1-3 Operating Temperature and Humidity:Temperature range of **-10C~+50C**,Humidity range of **30%~80%**.

1-4 Storage Temperature:Temperature range of **-20C~+60C**

2.Measuring Conditions:

2-1 Motor Position:To be place t horizontally when measuring

2-2 Power Supply: Regulated DC power supply

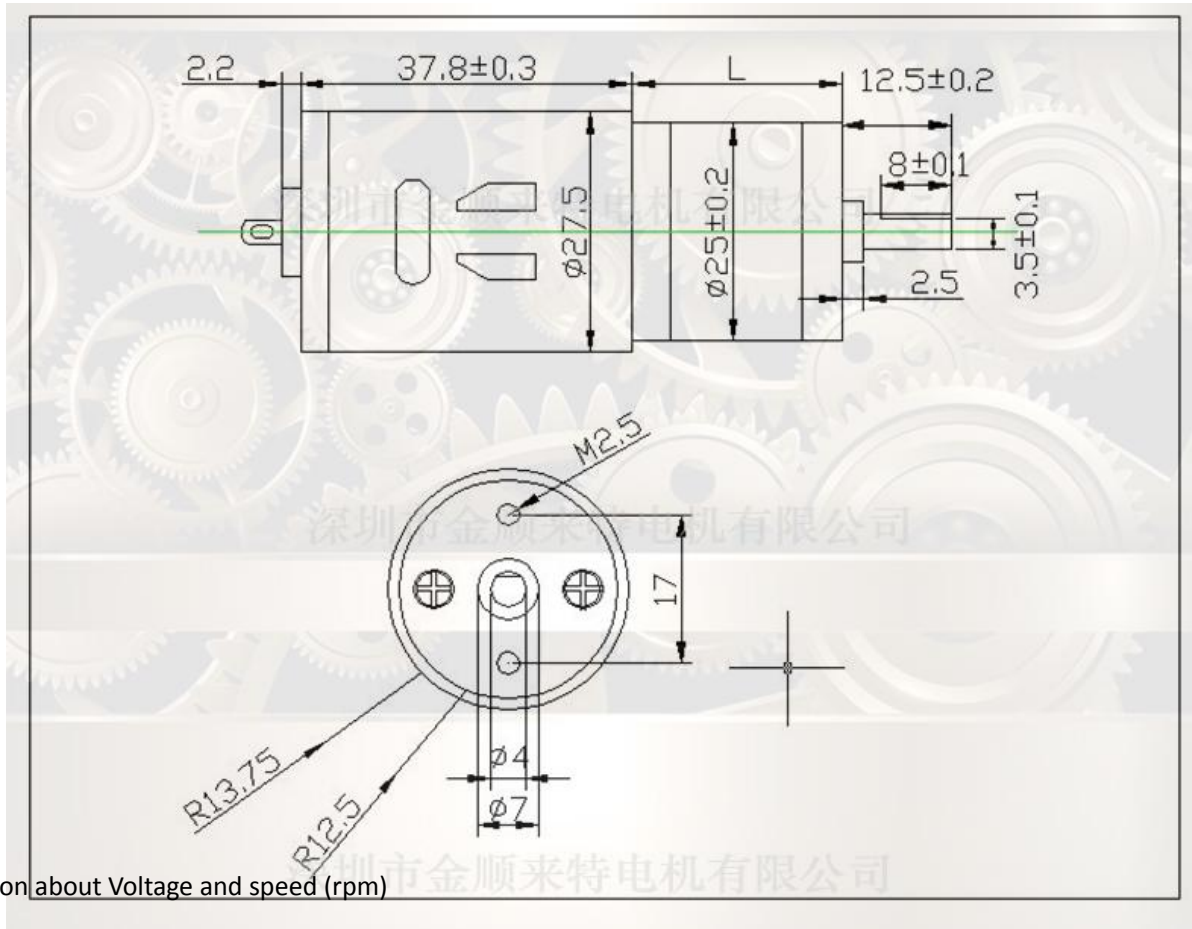
--No load speed:**15-1727rpm**.

--Robotics, Small Appliance, Fanner, Electric Curtain;

--Medical Pump, Surgery Tools, Medical Stirrer, centrifugal Machine; Electric Valve, Actuator, medical device

--Electric motor,low noise,low current and no spark.

Size:



Relation about Voltage and speed (rpm)

型号: JGA25-385				参数表								
电压Voltage		空载No Load		负载转矩Load Torque				堵转Stall		减速器Reducer		重量
范围	额定	转速	电流	转速	电流	扭矩	功率	扭矩	电流	减速比	尺寸	Weight
Workable Range	Rated Volt.V	Speed rpm	Current ma	Speed rpm	Current ma	Torque kg.cm	Output W	Torque kg.cm	Current A	Ratio 01:00	Size mm	单位 g
12-24V	24V	1727	70	1200	450	0.32	6	1.2	2	4.4	15	100
12-24V	24V	818	70	572	450	0.72	6	2.8	2	9.28	17	105
12-24V	24V	356	70	249	450	1.7	6	6	2	21.3	19	110
12-24V	24V	223	70	156	450	2.7	6	10	2	34	21	115
12-24V	24V	168	70	117	400	3	6	12	2	45	21	115
12-24V	24V	97	70	67	400	6	6	24	2	78	23	120
12-24V	24V	73	70	51	400	8	6	32	2	103	23	120
12-24V	24V	44	70	30	400	13	6	52	2	171	25	125
12-24V	24V	33	70	23	400	18	6	70	2	226	25	125
12-24V	24V	20	70	14	400	30	6	70	2	378	27	130
12-24V	24V	15	70	10	400	30	6	70	2	500	27	130

深圳杰合顺立机电科技有限公司