

DC motor gear motor Motor for intelligent robot

specifics

Efficiency:IE 1
Continuous Current(A): 120ma
Output Power: 20 W
Voltage(V):dc 12-120V
Torque: 0.64kg.cm-60kg.cm
Type:Gear Motor
Construction:Permanent Magnet
Protect Feature: Explosion-proof
Usage:Car,Electric Bicycle
Certification:CE,ROHS

Speed(RPM):

12V : 0.8rpm 1.5rpm 2rpm
24V : 1.6rpm 3rpm 4rpm
120V : 8rpm 15rpm 20rpm 26rpm 47rpm 61rpm 100rpm 142rpm 333rpm 421rpm 1000rpm

Remark:Pls confirm the voltage and speed before ordering.

Specifications

1.Standard Operating Conditions

1-1 Rated Voltage:**12v,24v,120v.**

1-2 Direction of Rotation:**CW** when viewed from output shaft side

1-3Operating Temperature and Humidity:Temperature range of **-10C~+50C**,Humidity range of **30%~80%**.

1-4Storage Temperature:Temperature range of **-20C~+60C**

2.Measuring Conditions:

2-1Motor Position:To be place t horizontally when measuring

2-2Power Supply: Regulated DC power supply

--No load speed:**0.8-1000rpm.**

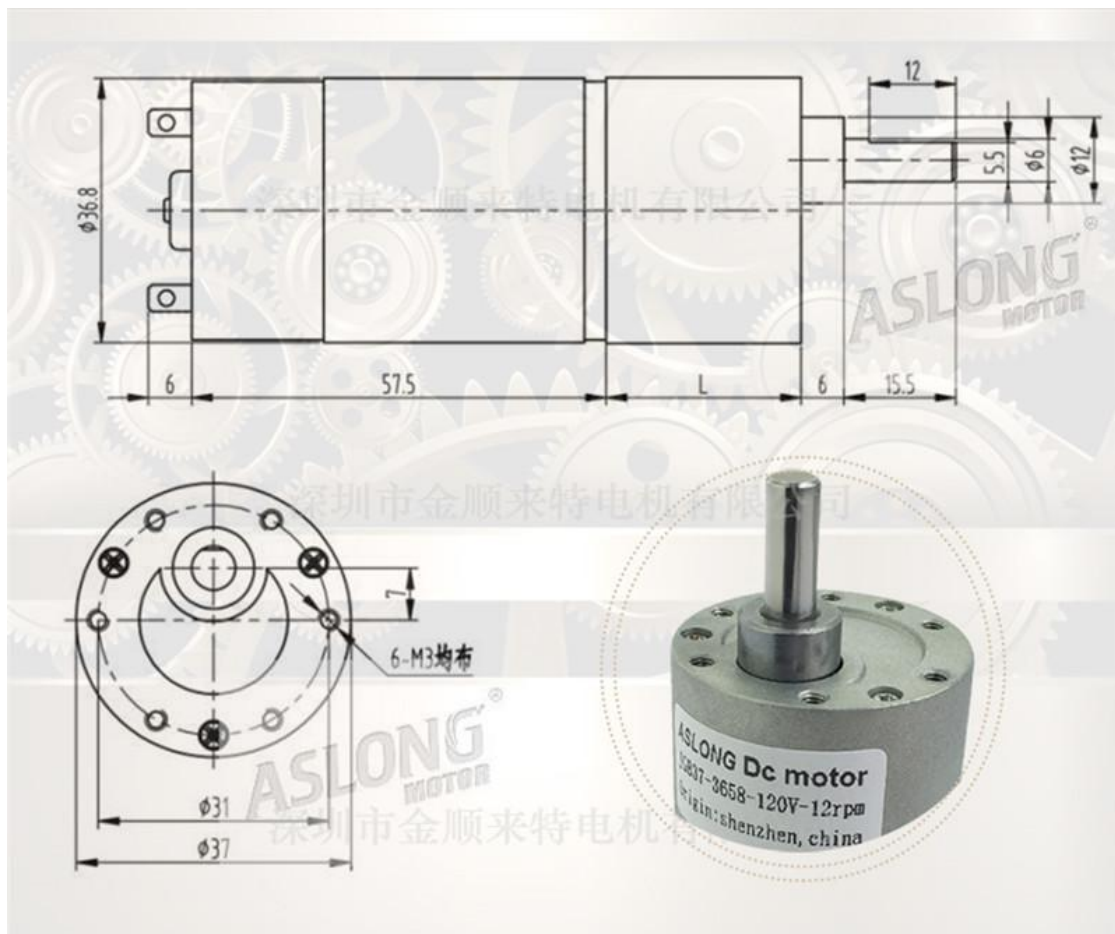
--Robotics, Small Appliance, Fanner, Electric Curtain;

--Medical Pump, Surgery Tools, Medical Stirrer, centrifugal Machine; Electric Valve, Actuator, medical device

--Electric motor,low noise,low current and no spark.

Ratio:**1/8,1/19,1/24,1/56,1/80,1/131,1/168,1/305,1/392,1/505,1/973.**

Size:



Relation about Voltage and speed (rpm)

型号: JGB37-3658				参数表								
电压Voltage		空载No Load		负载转矩Load Torque				堵转Stall		减速器Reducer		重量
范围	额定	转速	电流	转速	电流	扭矩	功率	扭矩	电流	减速比	尺寸	Weight
Workable	Rated	Speed	current	speed	current	Torque	Output	Torque	Current	Ratio	Size	单位
V	V	rpm	ma	rpm	ma	kg. cm	w	kg. cm	A	0.0417	mm	约g
12-120V	120V	1000	120	700	320	0.64	20	2.56	1.5	8	23.5	280
12-120V	120V	421	120	297	320	1.5	20	6	1.5	19	23.5	290
12-120V	120V	333	120	266	320	1.9	20	7	1.5	24	23.5	300
12-120V	120V	142	120	113	300	4.4	20	26	1.5	56	27	320
12-120V	120V	100	120	80	300	6	20	24	1.5	80	27	330
12-120V	120V	61	120	48	300	10	20	40	1.5	131	31	340
12-120V	120V	47	120	37	300	13	20	50	1.5	168	36	360
12-120V	120V	26	120	20	300	24	20	80	1.5	305	36	370
12-120V	120V	20	120	16	300	30	20	禁止	1.5	392	36	375
12-120V	120V	15	120	12	300	40	20	禁止	1.5	505	38	380
12-120V	120V	8	120	6.5	300	60	20	禁止	1.5	973	40	390